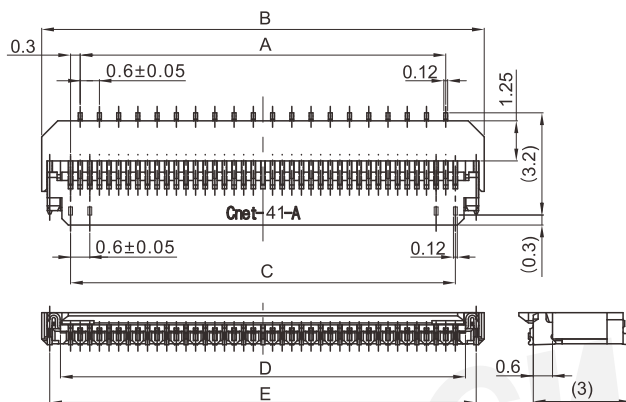




技术参数 ( SPECIFICATIONS )

适用FPC软板 ( Useable FPC Board range ) : Thickness=0.2mm  
 适应基板厚度 ( Applicable PC Board thickness ) : 0.8~1.2mm  
 温度范围 ( Temperature range ) : -20°C~85°C  
 额定电压 ( Voltage rating ) : 30V AC/DC  
 额定电流 ( Current rating ) : 0.2A max.  
 绝缘电阻 ( Insulation resistance ) : ≥50MΩ  
 耐压 ( Withstand voltage ) : 90V AC/minute

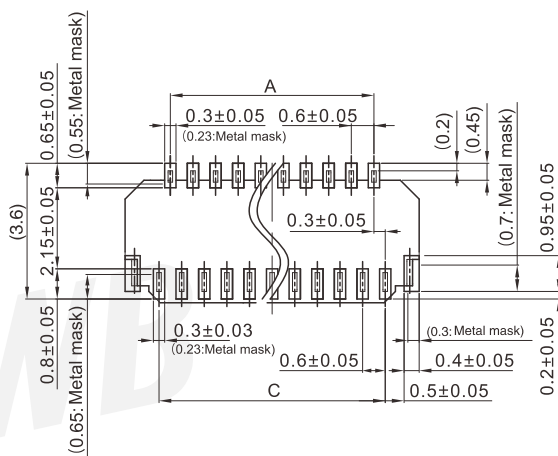
阳连接器 WAFER



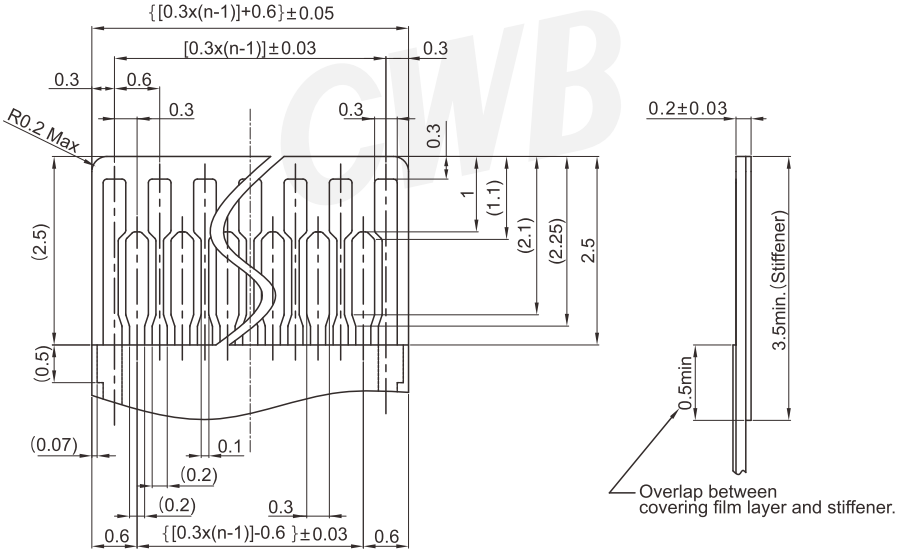
线数 Poles	型号Type	尺寸Dimensions ( mm )				
		A	B	C	D	E
13	3013-52113	3.0	5.4	3.6	4.23	4.9
25	3013-52125	6.6	9.0	7.2	7.83	8.5
39	3013-52139	10.8	13.2	11.4	12.03	12.7

材质·表面处理 Material and Finish LCP UL94V-0 ; 磷青铜 局部镀金 Phosphor Bronze Au Plated

安装尺寸 MOUNTING MEASUREMENT



RECOMMENDED LAND PATTERN  
 (RECOMMENDED METAL MASK THICKNESS : t=0.1)



RECOMMENDED FPC DIMENSIONS

CWB

CWB