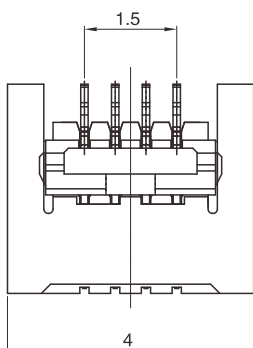


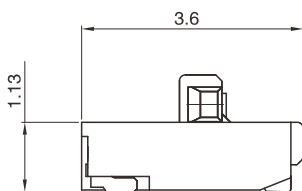
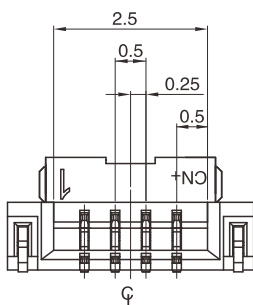
技术参数 (SPECIFICATIONS)

- 适用FPC软板 (Useable FPC Board range) : Thickness=0.3mm
- 适应基板厚度 (Applicable PC Board thickness) : 0.8~1.2 mm
- 温度范围 (Temperature range) : -25℃~85℃
- 额定电压 (Voltage rating) : 50V AC/DC
- 额定电流 (Current rating) : 0.5A
- 绝缘电阻 (Insulation resistance) : $\geq 100M\Omega$
- 耐压 (Withstand voltage) : 200V AC/minute

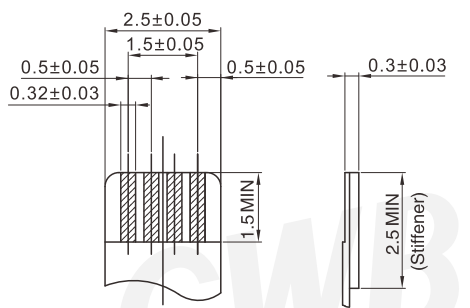
阳连接器 HEADER



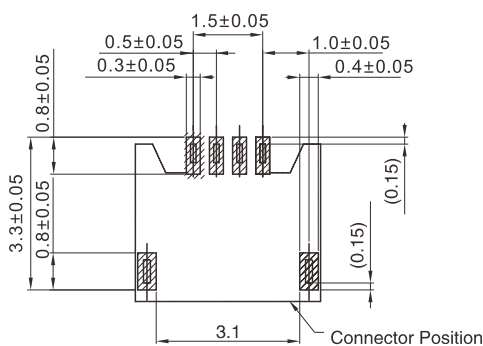
材质·表面处理 Material and Finish
 LCP UL94V-0; 磷青铜 镀锡 Phosphor Bronze Tin Plated



安装尺寸 MOUNTING MEASUREMENT



**APPLICABLE FPC
 RECOMMENDED DIMENSION**
 (THICKNESS : 0.3±0.03)



**RECOMMENDED P.C. BOARD
 PATTERN DIMENSION(REF.)**
 COMPONENT SIDE