

3035 型条形连接器

3035 Bar Connector

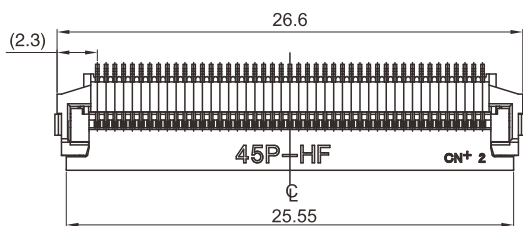
间距 (space) :0.5mm



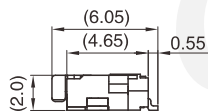
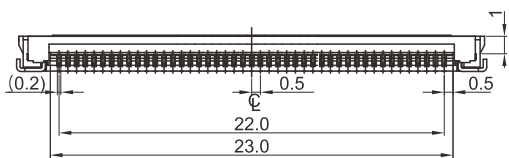
技术参数 (SPECIFICATIONS)

- 适用FPC软板 (Useable FPC Board range) : Thickness=0.3mm
- 适应基板厚度 (Applicable PC Board thickness) : 0.8~1.2 mm
- 温度范围 (Temperature range) : -40℃~85℃
- 额定电压 (Voltage rating) : 50V AC/DC
- 额定电流 (Current rating) : 0.5A
- 绝缘电阻 (Insulation resistance) : $\geq 50M\Omega$
- 耐压 (Withstand voltage) : 250V AC/minute

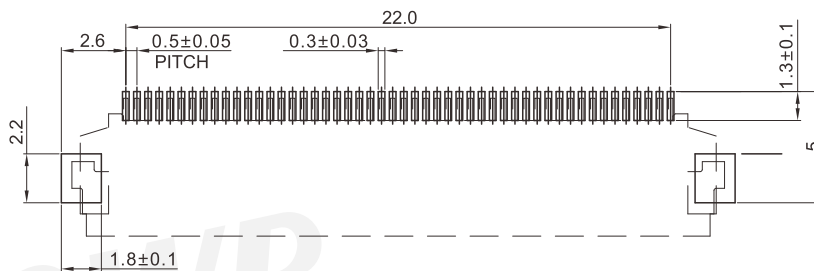
阳连接器 HEADER



线数 Poles	型号 Type
45	3035-56245
材质·表面处理 Material and Finish LCP UL94V-0 磷青铜 局部镀金 Ni under plated over all and Au plated on the contact area	



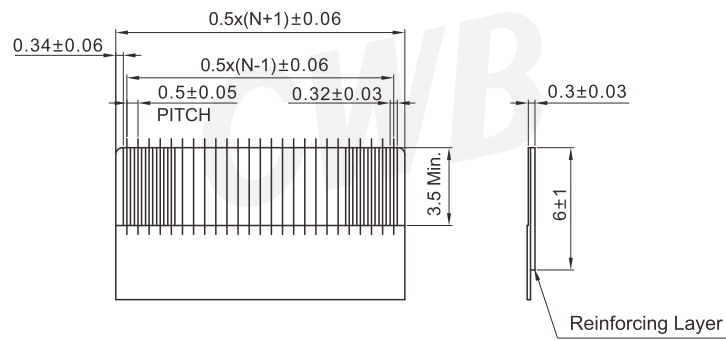
安装尺寸 MOUNTING MEASUREMENT



RECOMMENDED P.C.BOARD
 PATTERN DIMENSION(REF.)
 COMPONENT SIDE

3035 型条形连接器
3035 Bar Connector

间距 (space) :0.5mm



APPLICABLE FPC
RECOMMENDED DIMENSION
(THICKNESS : 0.3 ± 0.03)

CWB

CWB