

C30502 型扁平电缆连接器

C30502 Flat Cable Connector

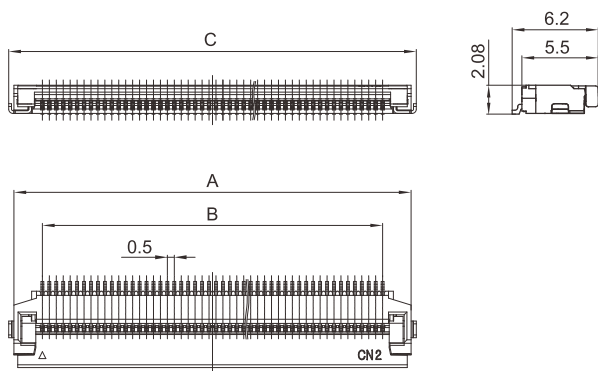
间距 (space) :0.5mm



技术参数 (SPECIFICATIONS)

- 温度范围 (Temperature range) : -25°C ~ 85°C
- 额定电压 (Voltage rating) : 50V AC/DC
- 额定电流 (Current rating) : 0.5A
- 接触电阻 (Contact resistance) : $\leq 0.04\ \Omega$
- 绝缘电阻 (Insulation resistance) : $\geq 500\text{M}\Omega$
- 耐压 (Withstand voltage) : 500V AC/minute

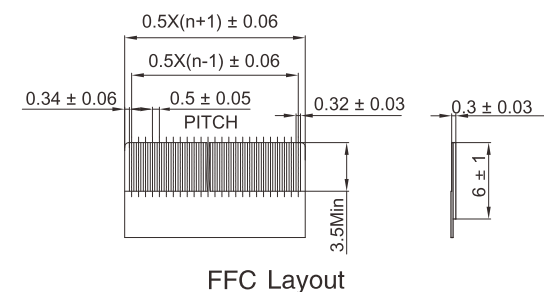
阳连接器 HEADER (90°)



线数 Poles	型号Type	尺寸Dimensions (mm)		
		A	B	C
36	C30502-320360	21.6	17.5	22.35
40	C30502-320400	23.6	19.5	24.35

材质·表面处理 Material and Finish PA UL94V-0
磷青铜 镍底局部镀金 Phos·bronze
Ni under plated over all and Au plated on the contact area

安装尺寸 MOUNTING MEASUREMENT



尺寸Dimensions (mm)		
线数 Poles	A	B
36	17.5	23.3
40	19.5	25.3

