


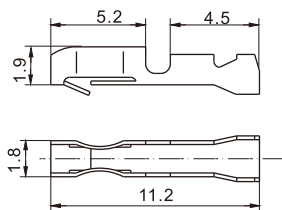


技术参数 (Specifications)

适用线规 (Applicable wires) : AWG#28~AWG#22
 适应基板厚度 (Applicable PC board thickness) : 1.2~1.6mm
 温度范围 (Temperature range) : -25°C~85°C
 额定电压 (Voltage rating) : 250V AC/DC
 额定电流 (Current rating) : 3A
 接触电阻 (Contact resistance) : $\leq 10m\Omega$
 绝缘电阻 (Insulation resistance) : $\geq 1000M\Omega$
 耐压 (Withstand voltage) : 1000V AC/minute

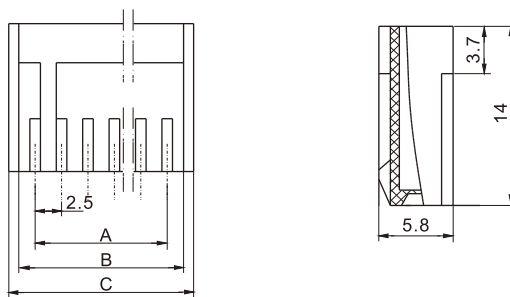
认证 (Standards) :  E200881

插簧 Contact



型号 Type	适用导线范围 Wire Range		导线外径 Wire ins.Dis
	mm ²	AWG#	
CH-EI	0.08~0.33	28~22	1.2~1.9
材质 · 表面处理 Material and Finish			
磷青铜 镀锡 Phos · bronze Tin · Plated			

孔座 Housing



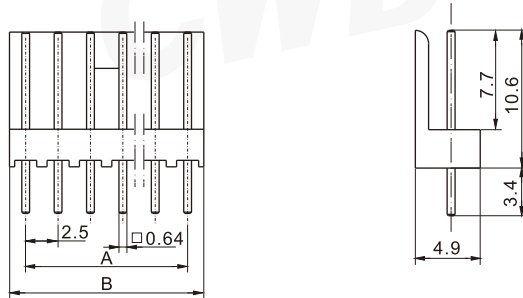
线数 Poles	型号 Type	尺寸Dimensions(mm)			线数 Poles	型号 Type	尺寸Dimensions(mm)		
		A	B	C			A	B	C
3	EI-3Y	5.0	8.1	10.6	8	EI-8Y	17.5	20.6	22.5
4	EI-4Y	7.5	10.6	13.1	9	EI-9Y	20.0	23.1	25.0
5	EI-5Y	12.5	13.1	15.6	10	EI-10Y	22.5	25.6	27.5
6	EI-6Y	10.0	15.6	18.1	11	EI-11Y	25.0	28.1	30.0
7	EI-7Y	15.0	18.1	20.6	12	EI-12Y	27.5	30.6	32.5
材质 Material		PA66 UL94V-2							

EI 型条形连接器

EI Bar Connector

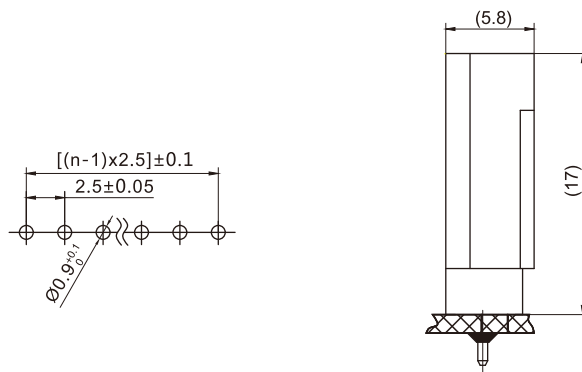
间距 (space) :2.5mm

阳连接器 (立式, 直插) Header (V, DIP)



线数 Poles	型号 Type	尺寸 Dimensions(mm)		线数 Poles	型号 Type	尺寸 Dimensions(mm)	
		A	B			A	B
3	EI-3A	5.0	7.5	8	EI-8A	17.5	20.0
4	EI-4A	7.5	10.0	9	EI-9A	20.0	22.5
5	EI-5A	10.0	12.5	10	EI-10A	22.5	25.0
6	EI-6A	12.5	15.0	11	EI-11A	25.0	27.5
7	EI-7A	15.0	17.5	12	EI-12A	27.5	30.0
材质 · 表面处理 Material and Finish							
PA66 UL94V-2; 黄铜 镀锡 Brass Tin · Plated							

安装尺寸 Mounting Measurement



PCB Layout

Assembly View (DIM FYI)