



产品规格书

PRODUCT SPECIFICATION

产品描述: CA666 组件&CZ530

Product Description: CA666 Assembly &CZ530

目录

INDEX

1. 更改履历 Change History
2. 范围 Scope
3. 产品描述 Product Description
4. 相关标准 Related Standards
5. 参数范围 Parameter Ratings
6. 产品性能 Performance
7. 测试分组 Test Sequences

浙江合兴电子元件有限公司 CWB Electronics(Zhejiang)Co.,Ltd.	制定 Edit: 胡本家 2015.9.15	产品名称 Product Name: <u>CA666 组件&CZ530</u>
中国·浙江省乐清市虹桥镇幸福东路 1098 号 合兴工业园	审核 Check: 王曲 2019.1.16	编号 Document No.: PS3788
1098,Xingfu `Road(East),CWB Industrial Zone,Hongqiao,Yueqing,Zhejiang 325608,China Tel: 86-577-61313157 Fax: 86-577-62313681	批准 Approval : 刘冬旭 2019.1.16	版本 REVISION: <u>2</u>



产品规格书

PRODUCT SPECIFICATION

1.更改履历 Change History

序号 No.:	版本号 Version No.	更改前描述 Description Before Modification	更改后描述 Description After Modification	日期 Date
1	1	无	转化新版规格书	2015.09.15
2	2	图纸中文版	更改图中公司 LOGO，中文版图纸转为英文版，去掉合格证模板	2019.1.16
3				
4				
5				

产品名称 Product Name:	CA666 组件&CZ530	编号 Document No.	PS3788	版本号 VersionNo.	2
-----------------------	----------------	--------------------	--------	-------------------	---

2.适用范围 Scope

本产品规格书适用于浙江合兴电子元件有限公司生产的 **WTW 11.0P 连接器**, 产品名称: **CA666 组件&CZ530**。

This product specification covers the requirement for **Wire to Wire 11.0mm pitch connector**, which is designed and manufactured by CWB Electronics(ZheJiang) Co.,LTD. P/N: **CA666 assembly part&CZ530**.

3.产品描述 Product Description

CA666 组件产品为家电连接器产品, 产品部件组成如下:

CA666 assembly part designed for home appliances connection. Part checklist as following form:

Name	Part name	Notes
CA666 组件针座	CA666	
适配弹片	CA666 定位弹簧片	
适配端子	CZ530	

4.相关标准 Related Standards

以下参考文件是本规格书的一个组成部份。若本规格书中的要求与产品图纸发生冲突, 则产品图中的要求为优先; 若本规格书中的要求与参考文件中的要求冲突, 则本规格书为优先。

The following documents form a part of this specification. In the event of conflict between the requirements of this specification and the product drawing, the product drawing shall take precedence. In the event of conflict between the requirements of this specification and the referenced documents, this specification shall take precedence.

- GB/T 2421 电工电子产品环境试验 第一部分 总则
Testing Method for Environmental of Electrical Connectors Class 1: General Principles
- GB/T 2423 电工电子产品环境试验方法
Testing Method for Environmental of Electrical Connectors
- GB/T 2424 电工电子产品环境试验导则
Testing Method for Environmental of Electrical Connectors
- GB/T 5095 电子设备用机电元件基本试验规程及测量方法
Testing procedure/Method for components of electric equipment

产品符合合兴企标Q/HX J1150001 《产品及所用材料的环保要求》 I类或顾客要求。

The connector should comply with CWB standard Q/HX J1150001 Class I or customer's requests.

产品名称 Product Name:	CA666 组件&CZ530	编号 Document No.	PS3788	版本号 VersionNo.	2
-----------------------	----------------	--------------------	--------	-------------------	---

5. 参数范围 Parameter Ratings:


额定电流 Rated Current	30A [AC(有效值 rms)/DC] (不考虑线型)
额定电压 Rated Voltage	600V [AC(有效值 rms)/DC]
使用温度范围 Operating temperature range	-20°C ~ +105°C
适用线规 Applicable wires	AWG 18 & AWG 14

6. 产品性能 Performance

6.1 机械性能 Mechanical

序号 No.	项目 Item	测试条件 Test Condition	规格 Requirement	
6.1.1	外观 Appearance	目测 Checking by eye 视力: 1.0 以上 Eyesight: > 1.0 照明: (200~300) lx Lamp: (200~300) lx 目测距离: (0.3~0.5) m Space: (0.3~0.5) m	1 塑料件表面应无明显疤痕、凹陷、开裂及影响使用的变形。 Plastic part: smooth and flat surface without discolor, broken, crack, distortion defects is acceptable. 2 金属件表面无锈蚀、氧化、无明显的机械损伤等缺陷。 Metal part: bright and even surface without rust, oxide, fog and obvious physical damage defects is acceptable.	
6.1.2	端子固定力 Terminal Retention Force	固定连接器和/或测力计, 沿连接器轴线方向将端子拉出, 速度不大于 25 ± 3 mm/min Axial Insert and withdraw force on the terminal in the housing at a rate of 25 ± 3 mm per minute. GB/T 5095.8 Method 15A / EIA-364-29B	115N MIN	
6.1.3	连接器插拔力 Total Insertion / withdrawal force	连接器相配, 以 1mm/s~5mm/s 的速度沿接插器轴线方向插入和拔出。 Insert and withdraw connectors at the speed rate of 1mm/s~5mm/s GB/T 5095.7 Method 13B / EIA-364-13B	插入力	拔出力
			40N Max	10N Min

产品名称 Product Name:	CA666 组件&CZ530	编号 Document No.	PS3788	版本号 VersionNo.	2
-----------------------	----------------	--------------------	--------	-------------------	---

6.1.4	破坏性 Damage	<p>连接器相配，倾斜后，以1mm/s~5mm/s的速度沿向内存方向施加6kg的力保持1min。</p>  <p>Insertion and withdraw connectors at the speed rate of 1mm/s~5mm/s of loading force 6kg by 1min.</p>	<p>外观：无损伤 Appearance: No damage. 插拔力：40N Max Insertion: 40N Max 拔出力：10N min Withdraw: 10N min</p>	
6.1.5	机械寿命 Life	<p>a. 空载状态（连接/断开 5000 次） a. Without load (Contact/Disconnect 5000 Cycles) GB/T 5095.5 Method 9A / EIA-364-09C</p> <p>b. 负载状态（在 30A 电流下热插拔 250 次） b. With load (Hot Plug 250 Cycles with 30A) GB/T 5095.5 Method 9A / EIA-364-09C</p>	<p>插拔力：40N Max Insertion: 40N Max 拔出力：10N min Withdraw: 10N min</p> <p>插拔力：40N Max Insertion: 40N Max 拔出力：10N min Withdraw: 10N min 接触电阻：8mΩ Max。 LLCR: 8mΩ Max.</p>	
6.1.6	机械振动 Vibration	<p>插合连接器，串联在一直流电源上,电流100mA;并模拟正常工作状态;振频为(10~55~10) Hz, 每个循环时间为1分钟, 振幅1.52mm。沿XYZ三轴正反方向各循环2h。 Mated connectors subjected to following vibration conditions, for a period of 2 hours in each of 3 mutually perpendicular axes, 100 mA current shall be applied. Frequency: (10~55~10) HZ/minute Amplitude: 1.52mm GB/T 5095.4 Method 6D / EIA-364-28D</p>	<p>外观 Appearance</p> <p>接触电阻 Contact Resistance</p> <p>瞬断 Discontinuity</p>	<p>无损伤 No Damage</p> <p>0.6mΩ MAX.</p> <p>1μs MAX.</p>

6.2 电气性能 Electrical

序号 No.	项 目 Item	测试条件 Test Condition	规 格 Requirement
6.2.1	接触电阻 Contact Resistance	<p>插配阴阳连接器后,用小功率电路进行测试 Mate connectors , measure by dry circuit. GB/T 5095.2 Method 2b / EIA-364-23B</p>	0.6 mΩ MAX.

产品名称 Product Name:	CA666 组件&CZ530	编号 Document No.	PS3788	版本号 VersionNo.	2
-----------------------	----------------	--------------------	--------	-------------------	---

6.2.2	绝缘电阻 Insulation Resistance	<p>插配阴阳连接器后, 在相邻接触件之间或地线之间,用 500V DC 电压进行测试.</p> <p>Mate connectors, apply 500V DC between adjacent terminal or ground.</p> <p>GB/T 5095.2 Method 3A / EIA-364-21C</p>	1000MΩ MIN.
6.2.3	耐电压 Dielectric Strength	<p>相邻接触件之间或地线之间施加 50Hz 2200V AC (有效值),漏电流 1mA 的电压作用. 时间 1min.</p> <p>Mate connectors, apply 2200V AC for 1 min between adjacent terminal or ground. GB/T 5095.2 Method 4A / EIA-364-20B</p>	无击穿和飞弧现象 No Breakdown
6.2.4	温升 Temperature Rise	<p>插合连接器, 通以 30A 电流 10 分钟, 测温度的差值</p> <p>Mate connectors and measure the temperature rise of contact when 30A AC、10 minite rated current is passed.</p> <p>GB/T 5095.3 Method 5E / EIA-364-70</p>	Δ55K Max

6.3 环境性能 Environmental

序号 No.	项 目 Item	测试条件 Test Condition	规 格 Requirement
6.3.1	耐高温 Heat Resistance	<p>连接器配合后, 于 105±2℃ 的空气中放置 96 小时, 再回到室温中放置 1-2 小时测定</p> <p>Mate connector exposed to the condition of 105±2℃ for 96 hours.Recovery time 1~2 hours</p> <p>GB/T 5095.6 Method 11i / EIA-364-17B</p>	外观: 无损伤 Appearance: No Damage
6.3.2	耐低温 Cold Resistance	<p>连接器配合后, 于 -40±2℃ 的空气中放置 96 小时, 再回到室温中放置 1-2 小时测定</p> <p>Mate connector exposed to the condition of -40±2℃ for 96 hours.</p> <p>Recovery time 1~2 hours</p> <p>GB/T 5095.6 Method 11J / EIA-364-17B</p>	外观: 无损伤 Appearance: No Damage
6.3.3	恒定湿热 Humidity	<p>温度(40±2)℃, 相对湿度(90~95)% 搁置时间 96h, 取出恢复 2h 后检查.</p> <p>Mated connector exposed to the condition of +40±2℃ @ 90~95% Humidity for 96 hours.</p> <p>Recovery time 1~2 hours</p> <p>GB/T 5095.6 Method 11C /EIA-364-31B</p>	外观: 无损伤 Appearance: No Damage 绝缘电阻: 500MΩ Min Insulation Resistance: 500MΩ Min 接触电阻: 8mΩ Max 。 LLCR: 8mΩ Max .

产品名称 Product Name:	CA666 组件&CZ530	编号 Document No.	PS3788	版本号 VersionNo.	2
-----------------------	----------------	--------------------	--------	-------------------	---

6.3.4	<p>温度循环 Temperature Cycling</p>	<p>把试验样品分别放入高、低温试验箱中，按下列步骤调试温度： a) 在(-55±2)℃的恒温条件下放置 0.5h； b) 在(85±2)℃的恒温条件下放置 0.5h； 从 a)到 b)为一个循环周期，共进行 5 个循环,恢复 1h 后检查。 Mate connectors shall be tested under the following conditions</p> <table border="1"> <thead> <tr> <th>Temperature °C</th> <th>Duration (Minutes)</th> </tr> </thead> <tbody> <tr> <td>-55</td> <td>30</td> </tr> <tr> <td>+25</td> <td>5Max</td> </tr> <tr> <td>+85</td> <td>30</td> </tr> <tr> <td>+25</td> <td>5Max</td> </tr> </tbody> </table> <p>Step 1 to 4 is one cycle,5 cycles shall be tested. Recovery time 1~2 hours. GB/T 5095.6 method 11D / EIA-364-32C</p>	Temperature °C	Duration (Minutes)	-55	30	+25	5Max	+85	30	+25	5Max	<p>外观：无损伤 Appearance: No Damage 接触电阻：8mΩ Max。 LLCR: 8mΩ Max.</p>
Temperature °C	Duration (Minutes)												
-55	30												
+25	5Max												
+85	30												
+25	5Max												
6.3.5	<p>盐雾 Salt Spray</p>	<p>把试验样品从试验箱顶悬挂下来，采用浓度为(5±1)%(质量百分比)的氯化钠溶液，在(35±2)℃温度下连续雾化 48h,试验后用流动的蒸馏水轻轻洗去表面沉积物。在常温常湿条件下恢复 1~2h 48 hours spray, at temp 35+/-2°C, Salt NaCl mist (5±1)% After test wash parts and return to room ambient for 2hours GB/T 5095.6 Method 11F /EIA-364-26B</p>	<p>外观：无损伤(五金件应无露出底金属的严重锈蚀;使用预镀好的型材，其落料面允许有不影响其性能的轻微腐蚀。) Appearance: No Damage (No erosion with material exposed. And with plating material, slight erosion on the cutting surface is acceptable) 接触电阻：8mΩ Max。 Contact resistance: 8mΩ Max.</p>										

产品名称 Product Name:	CA666 组件&CZ530	编号 Document No.	PS3788	版本号 VersionNo.	2
-----------------------	----------------	--------------------	--------	-------------------	---



产品规格书

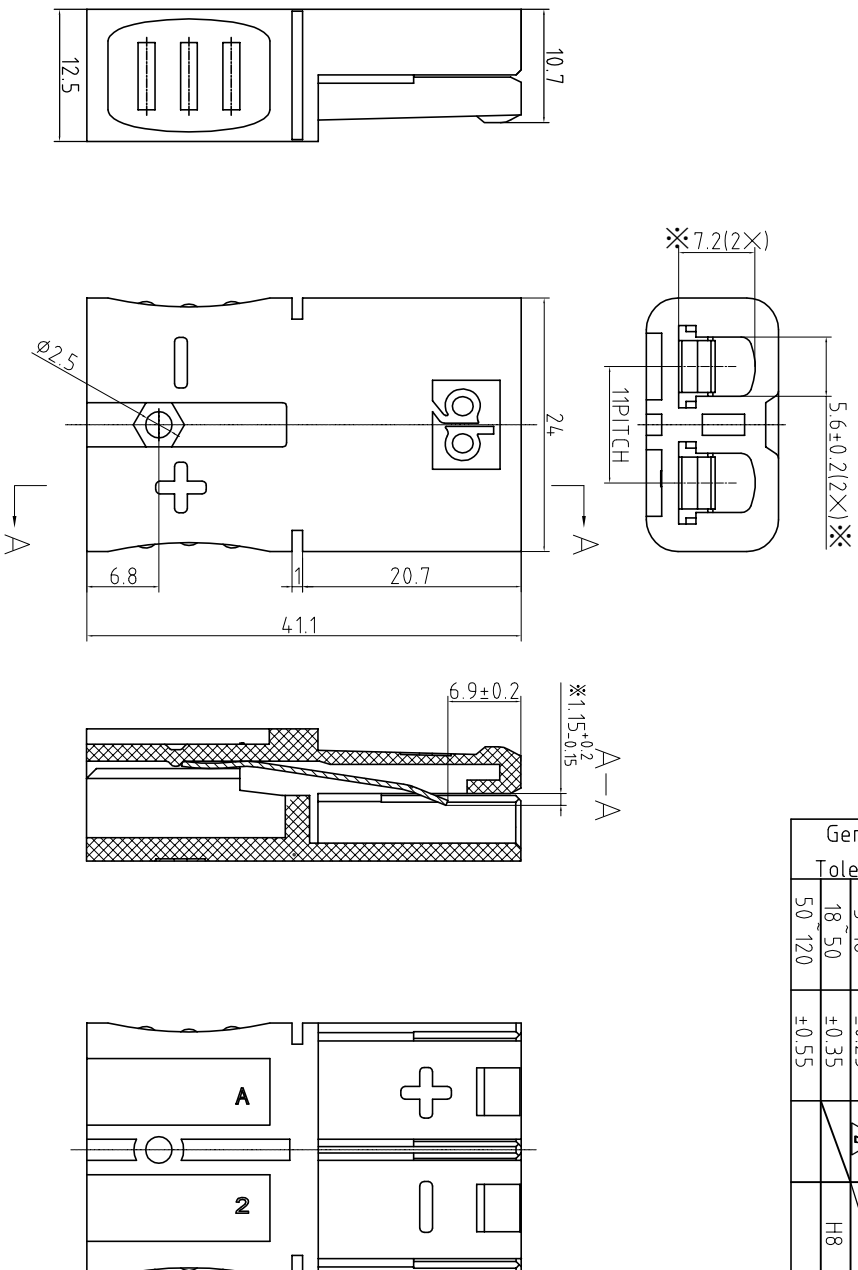
PRODUCT SPECIFICATION

6. 测试分组 Test Sequences (Samples: 3PCS)

测试组 GROUP NUMBER	A	B	C	D	E	F	G	H	I	J	K	L
外观 Appearance	1	1	1, 3	1	1	1,5	1	1,4	1,4	1,6	1,6	1
端子固定力 Terminal Retention Force	2											
连接器插拔力 Total Insertion / withdrawal force		2		4	5							
破坏性 Damage			2									
机械寿命 Life				3	3							
机械振动 Vibration						3						
接触电阻 Contact Resistance				2	2,4	2,4	2	2	2	2,4	2,4	2,4
绝缘电阻 Insulation Resistance							3			5	5	
耐电压 Dielectric Strength							4					
温升 Temperature Rise							5					
耐高温 Heat Resistance								3				
耐低温 Cold Resistance									3			
恒定湿热 Humidity										3		
温度循环 Temperature Cycling											3	
盐雾 Salt Spray												3

产品名称 Product Name:	CA666 组件&CZ530	编号 Document No.	PS3788	版本号 VersionNo.	2
-----------------------	----------------	--------------------	--------	-------------------	---

Dimension	Tolerance	Rev.	No	Location	Description	Reviser	Date
0~3	±0.13	△			Delete material trademark	BenjiaHu	2015.11.5
3~18	±0.23	△			Change the Tolerance.	YunfengHu	2017.11.11
18~50	±0.35	△		H8	Update the version.	YadanLi	2019.1.13
50~120	±0.55						



Notes:

- 1.Material: PC UL94V-0 ; SUS;
- 2.Matched Contact: CZ530;
- 3.Packing: Packing bag;
- 4.Compliant To The Current RoHS;
- 5.This maker ※ is stand for important size.

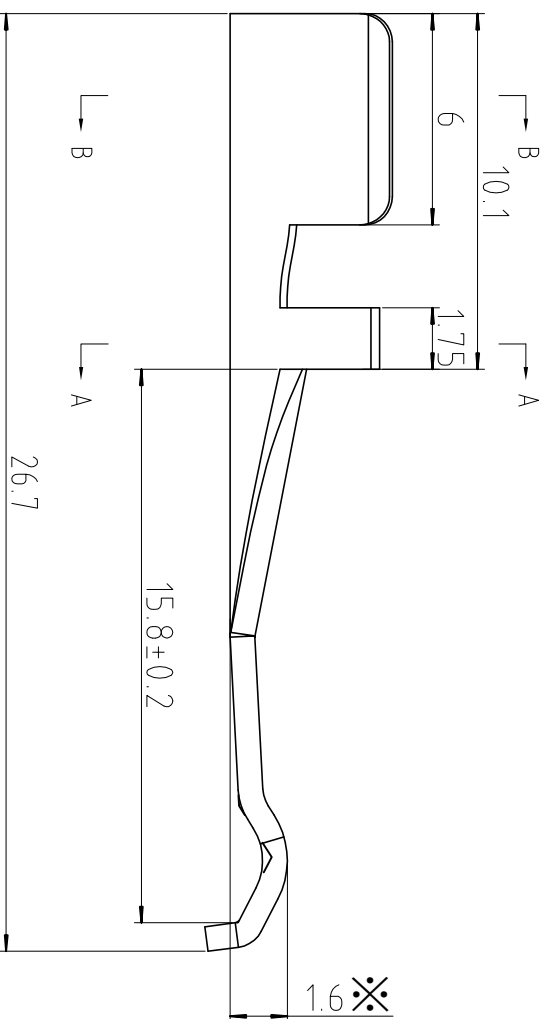
CUSTOMER DRAWING

Title: 110mm Pitch Connector

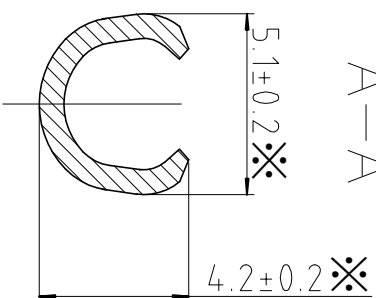
Drawn	Benjia.Hu 2015.9.15	Unit	Scale	Size	Edition	Part No.:	CA666
Checked	Qu.Wang 2019.1.16	mm	1:5:1	A4	B2	Document No.:	CP-DWG-00054
Approved	Dongxuliuz2019.1.16	Sheet No.	1 of 1			Specification No.:	PS3788

CWB 浙江合兴电子元件有限公司
CWB Electronics (Zhejiang) Co., Ltd.

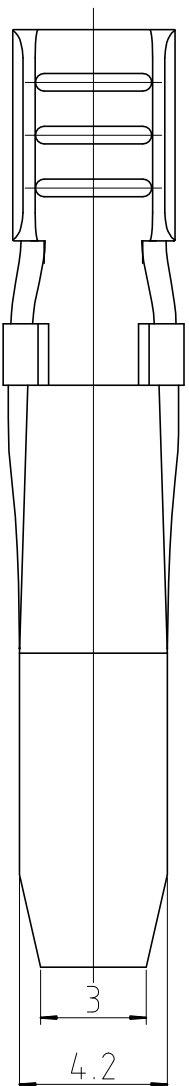
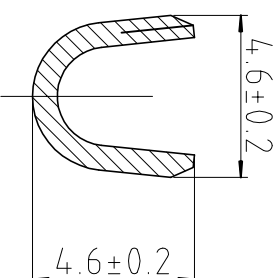
Dimension	Tolerance	Rev.	No.	Location	Description	Reviser	Date
0 ₃	±0.13				Delete material trademark	BenjiaHu	2015.11.5
3 ₁₈	±0.23			H8	Update the version.	Yadan.Li	2019.11.3
18 ₅₀	±0.35						
50 ₁₂₀	±0.55						



A—A



B—B



Notes:

- 1.Material: T2 ;
- 2.Matched Connector: CA666;
- 3.Packing: Packing bag;
- 4.Compliant To The Current RoHS;
- 5.This maker * is stand for important size.

CUSTOMER DRAWING

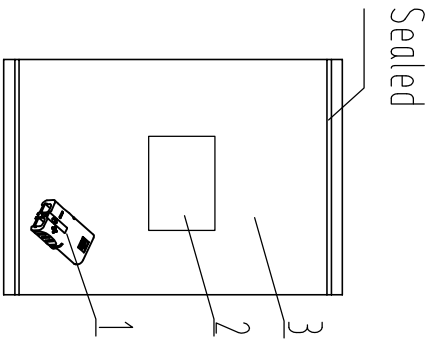
Title:
0.7mm thickness
Contact

Drawn	BenjiaHu 2015.9.15	Unit	mm	Scale	4:1	Size	A4	Edition	B2	Part No.:	CZ530
Checked	Qu.Wang 2019.1.16	Sheet No.	1 of 1							Document No.:	CP-DWG-00055
Approved	Dongxu.Liu2019.1.16									Specification No.:	PS3788

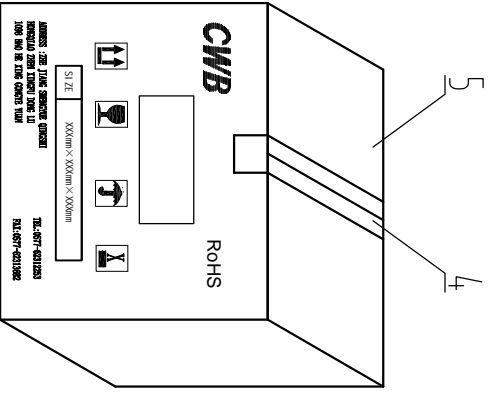
CWB 浙江合兴电子元件有限公司
CWB Electronics (Zhejiang) Co., Ltd.

General Tolerance				Dimension	Tolerance	Rev. No	Location	Description	Reviser	Date
	0~3	±0.13						Update the version	YadanLi	2019.1.16
	3~18	±0.23								
	18~50	±0.35								
	50~120	±0.55								

Packing bag



Packing box



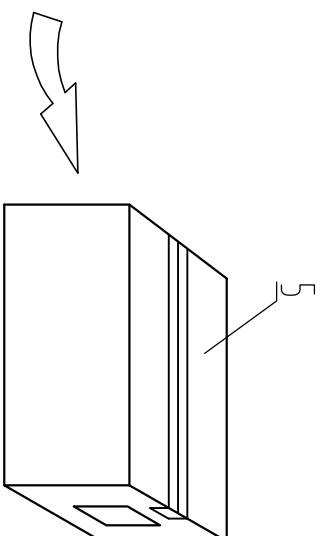
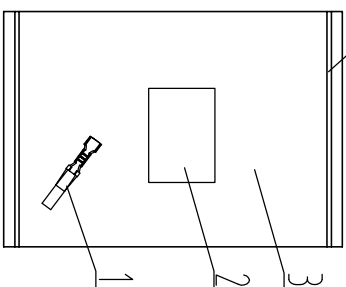
Number	Designation	Remarks
5	Packing box	
4	Gummed tape	
3	Packing bag	
2	Certification	
1	CA666	2200pcs/packing box 100pcs/bag

CUSTOMER DRAWING						Title:	
Drawn	Benjiali	2015.9.15	Unit	Scale	Size	Edition	Packaging Specification of 110mm Pitch Connector
Checked	Qu Yang	2019.1.16	mm	/	A4	B1	Part No.: CA666
Approved	Dongxuli	2019.1.16	Sheet No.	1 OF 1			Document No.: BZ-DWG-00016
			CWB 浙江合兴电子元件有限公司 CWB ELECTRONIC (ZHEJIANG) CO., LTD.		Specification No.: PS3788		

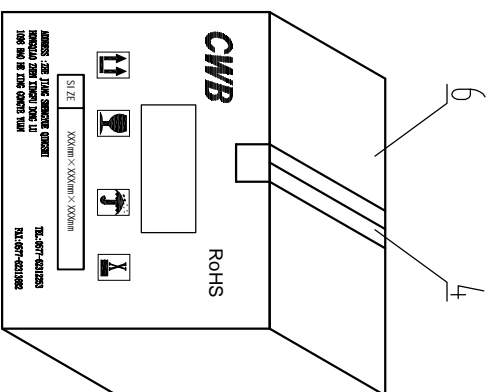
General Tolerance				Dimension	Tolerance	Rev. No	Location	Description	Reviser	Date
	0~3	±0.13						Update the version	YadanLi	2019.1.16
	3~18	±0.23								
	18~50	±0.35								
	50~120	±0.55								

Inner Packing

Sealed



Outer Packing



Number	Designation	Remarks
1	CZ530	1800pcs/outer packing box 3000pcs/inner packing box 500pcs/bag
2	Certification	
3	Packing bag	
4	Gummed tape	
5	Inner packing box	
6	Outer packing box	

CUSTOMER DRAWING

Drawn	BenjiaLi	2015.9.15	Unit	mm	Scale	/	Size	A4	Edition	B1	Part No.:	CZ530
Checked	Qu Wang	2019.1.16	Sheet No.				1 OF 1				Document No.:	BZ-DWG-00017
Approved	Dongxu Liu	2019.1.16	CWB 浙江合共电子有限公司 CWB Electronics (Zhejiang) Co., Ltd.		Specification No.: P33788							

ADDRESS: ZHEJIANG SHANGHAI INDUSTRIAL PARK
 HANGZHOU SHAN TOWN ZHOU LIU
 1000 NO. 18 IN TIAN CHANG TOWN
 TEL:0571-82122288 FAX:0571-82122288