

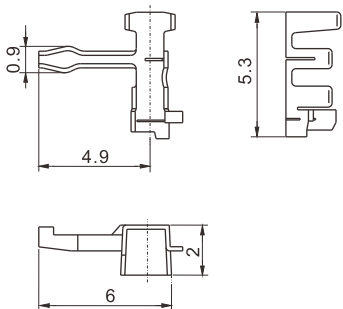


### 技术参数 ( SPECIFICATIONS )

适用线规 ( Applicable wires ) : AWG#28~AWG#24  
 适应基板厚度 ( Applicable PC board thickness ) : 1.2~1.6mm  
 温度范围 ( Temperature range ) : -25℃~85℃  
 额定电压 ( Voltage rating ) : 250V AC/DC  
 额定电流 ( Current rating ) : 1A  
 绝缘电阻 ( Insulation resistance ) :  $\geq 1000M\Omega$   
 耐压 ( Withstand voltage ) : 800V AC/minute

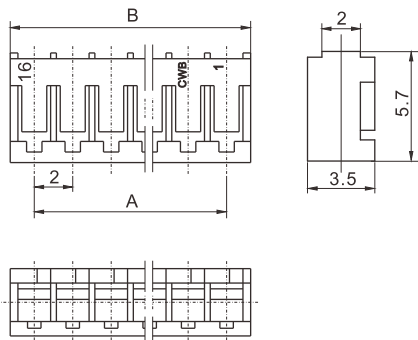
认证 ( STANDARDS ) :  E200881

### 端子 TERMINAL



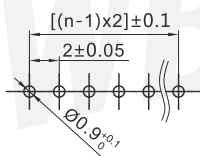
型号 Type	适用导线范围 Wire Range		导线外径 Wire ins.Dis
	mm <sup>2</sup>	AWG#	
CZ-SANB	0.08 ~ 0.2	28 ~ 24	1.2 ~ 1.4
材质 · 表面处理 Material and Finish			
磷青铜 镀锡 Phos · bronze Tin · Plated			

### 壳体 HOUSING

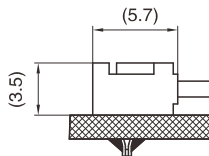


线数 Poles	型号 Type	尺寸 Dimensions(mm)	
		A	B
2	SAN-2AW	2.0	4.5
3	SAN-3AW	4.0	6.5
4	SAN-4AW	6.0	8.5
5	SAN-5AW	8.0	10.5
6	SAN-6AW	10.0	12.5
7	SAN-7AW	12.0	14.5
8	SAN-8AW	14.0	16.5
9	SAN-9AW	16.0	18.5
10	SAN-10AW	18.0	20.5
11	SAN-11AW	20.0	22.5
12	SAN-12AW	22.0	24.5
13	SAN-13AW	24.0	26.5
14	SAN-14AW	26.0	28.5
15	SAN-15AW	28.0	30.5
16	SAN-16AW	30.0	32.5
材质 · 表面处理 Material and Finish			
PA66 UL94V-0 · White			

### 安装尺寸 MOUNTING MEASUREMENT



PCB Layout



Assembly View (DIM FYI)