


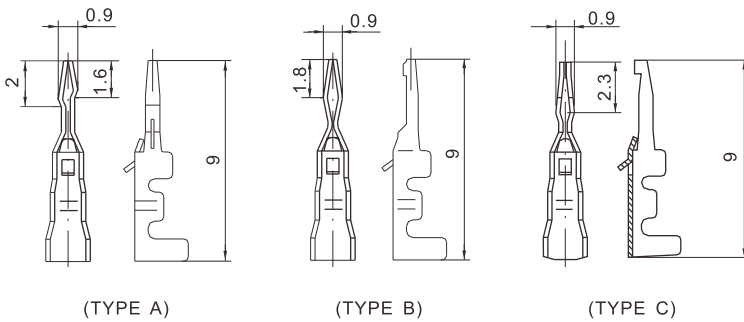


技术参数 (SPECIFICATIONS)

适用线规 (Applicable wires) : AWG#28~AWG#24
 适应基板厚度 (Applicable PC board thickness) : 1.2~1.6mm
 温度范围 (Temprature range) : -25℃~85℃
 额定电压 (Voltage rating) : 250V AC/DC
 额定电流 (Current rating) : 2A
 绝缘电阻 (Insulation resistance) : $\geq 1000M\Omega$
 耐压 (Withstand voltage) : 1000V AC/minute

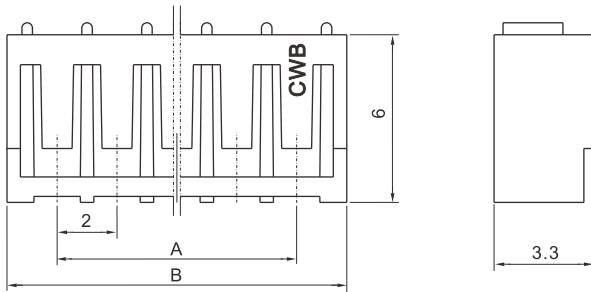
认证 (STANDARDS) :  E200881

端子 TERMINAL



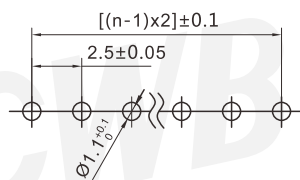
| 型号 Type | 适用导线范围 Wire Range | | 导线外径 Wire ins. Dis |
|------------------------------|-------------------|-------|-----------------------|
| | mm ² | AWG# | |
| CZ-SAN | 0.05~0.22 | 30~24 | 1.15~1.4 |
| 材质·表面处理 Material and Finish | | | |
| 磷青铜镀锡 Phos·bronze Tin·Plated | | | |

壳体 HOUSING

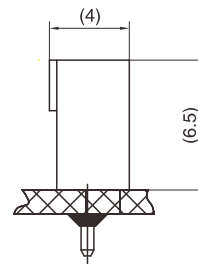


| 线数 Poles | 型号 Type | 尺寸 Dimensions(mm) | |
|--|------------|-------------------|------|
| | | A | B |
| 2 | SAN-2A | 2.0 | 5.4 |
| 3 | SAN-3A | 4.0 | 7.4 |
| 4 | SAN-4A | 6.0 | 9.4 |
| 5 | SAN-5A | 8.0 | 11.4 |
| 6 | SAN-6A | 10.0 | 13.4 |
| 7 | SAN-7A | 12.0 | 15.4 |
| 8 | SAN-8A | 14.0 | 17.4 |
| 9 | SAN-9A | 16.0 | 19.4 |
| 10 | SAN-10A | 18.0 | 21.4 |
| 11 | SAN-11A | 20.0 | 23.4 |
| 12 | SAN-12A | 22.0 | 25.4 |
| 13 | SAN-13A | 24.0 | 27.4 |
| 14 | SAN-14A | 26.0 | 29.4 |
| 15 | SAN-15A | 28.0 | 31.4 |
| 16 | SAN-16A | 30.0 | 33.4 |
| 材质·表面处理 Material and Finish PA66 UL94V-0 | | | |

安装尺寸 MOUNTNG MEASUREMENT



PCB Layout



Assembly View (DIM FYI)