

ST 螺丝端子

ST Screw Terminal

技术参数 (SPECIFICATIONS)

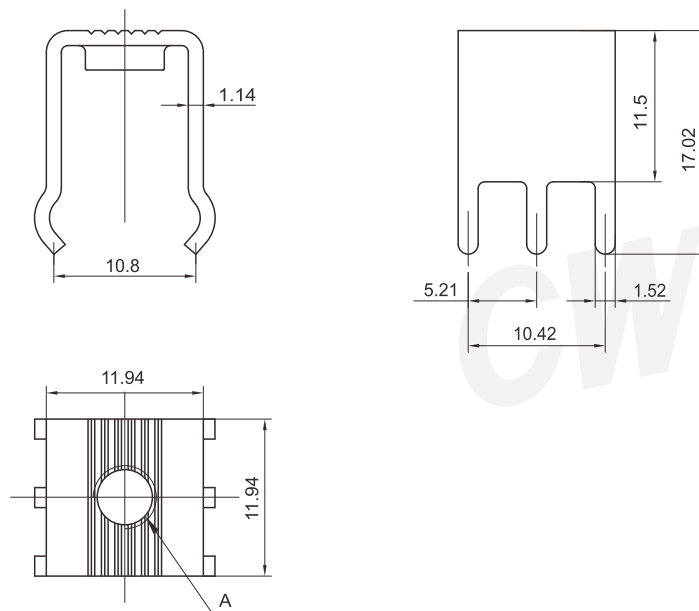
温度范围 (Temperature range) : $-25^{\circ}\text{C}\sim 85^{\circ}\text{C}$

额定电压 (Voltage rating) : 250V AC/DC

额定电流 (Current rating) : 30A AC/DC



端子 TERMINAL



型号TYPE	Thread Code
	A
ST001	10-32 UNF-2B
ST002	M4 × 0.5
材质 · 表面处理 Material and Finish	
黄铜 镀锡 Brass Tin · Plated	