
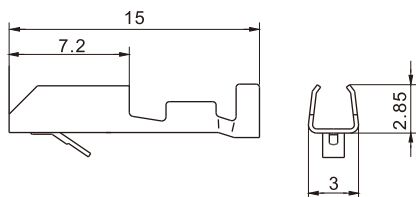




技术参数 (Specifications)

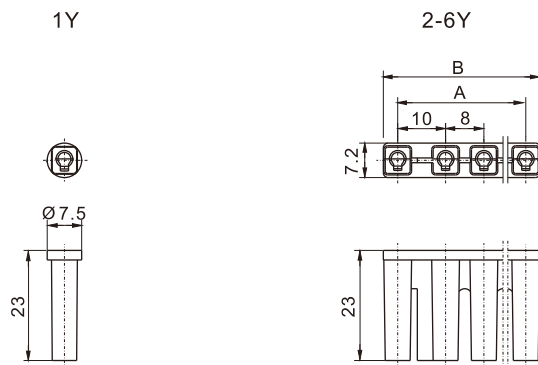
适用线规 (Applicable wires) : AWG#24~AWG#20
 适应基板厚度 (Applicable PC board thickness) : 1.2 ~ 1.6 mm
 温度范围 (Temperature range) : -25°C~85°C
 额定电压 (Voltage rating) : 250V AC/DC
 额定电流 (Current rating) : 3A
 接触电阻 (Contact resistance) : ≤30mΩ
 绝缘电阻 (Insulation resistance) : ≥1000MΩ
 耐压 (Withstand voltage) : 1000V AC/minute
 认证 (Standards) :  E200881

插簧 Contact



型号 Type	适用导线范围 Wire Range		导线外径 Wire ins. Dis
	mm ²	AWG#	
CH-TJC1	0.22~0.5	24~20	1.4~1.8
材质 · 表面处理 Material and Finish			
磷青铜 镀锡 Phos · bronze Tin · Plated			

孔座 Housing



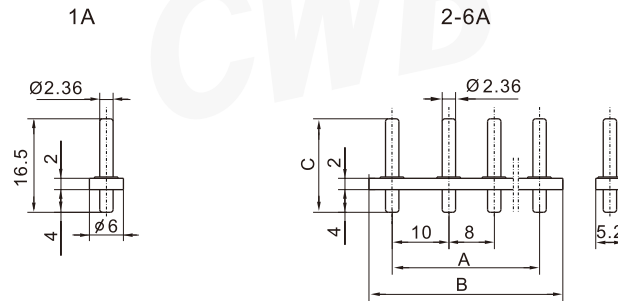
线数 Poles	型号 Type	尺寸 Dimensions(mm)	
		A	B
1	TJC1-1Y	/	/
2	TJC1-2Y	10.0	16.0
3	TJC1-3Y	18.0	24.0
4	TJC1-4Y	26.0	32.0
5	TJC1-5Y	34.0	40.0
6	TJC1-6Y	42.0	48.0
材质 Material		PA66 UL94V-0	

TJC1 型条形连接器

TJC1 Bar Connector

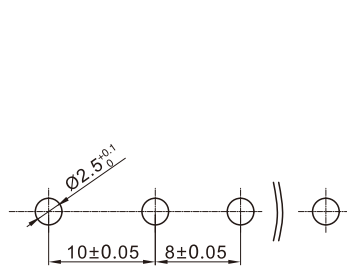
间距 (space) : 10-8...8mm

阳连接器 (立式, 直插) Header (V, DIP)

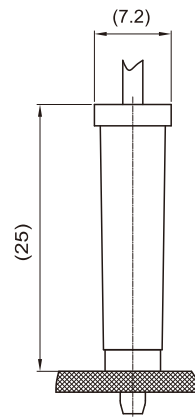


线数 Poles	型号 Type	尺寸 Dimensions(mm)		
		A	B	C
1	TJC1-1A	/	/	16.5
2	TJC1-2A	10.0	18.0	16.5
3	TJC1-3A	18.0	26.0	16.5
4	TJC1-4A	26.0	34.0	16.5
4	TJC1-4A(针长 18.5mm)	26.0	34.0	18.5
5	TJC1-5A	34.0	42.0	16.5
6	TJC1-6A	42.0	50.0	16.5
材质 · 表面处理 Material and Finish				
PBT UL94V-0; 黄铜 Brass Tin · Plated				

安装尺寸 Mounting Measurement



PCB Layout



Assembly View (DIM FYI)