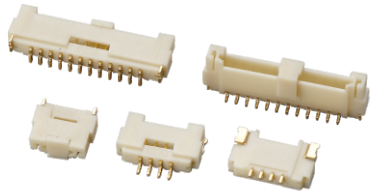

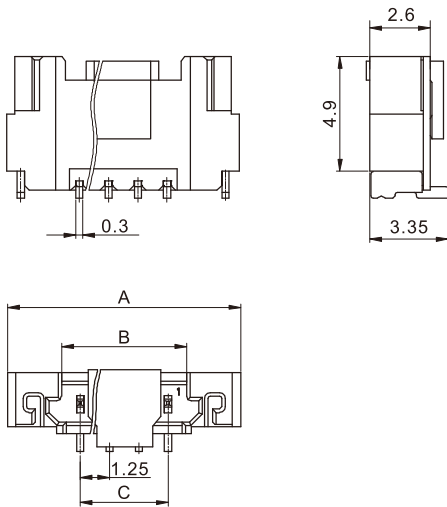


技术参数 (Specifications)



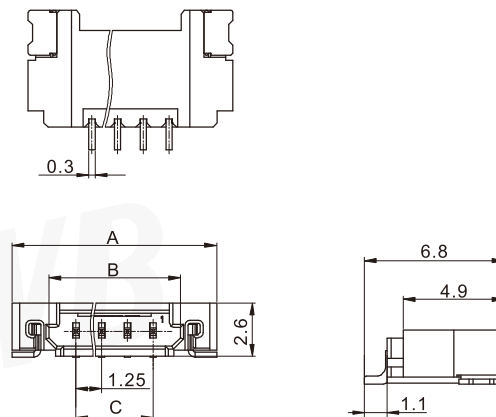
温度范围 (Temperature range) : -25°C~85°C
 额定电压 (Voltage rating) : 150V AC/DC
 额定电流 (Current rating) : 1A
 接触电阻 (Contact resistance) : $\leq 30m\Omega$
 绝缘电阻 (Insulation resistance) : $\geq 500M\Omega$
 耐压 (Withstand voltage) : 500V AC/minute
 认证 (Standards) :  E200881

阳连接器 (立式, 表面装贴, 带吸嘴盖) Header (V, SMT, With cover)



线数 Poles	型号 Type	尺寸 Dimensions (mm)		
		A	B	C
2	TJC12511-2ABX	7.45	2.85	1.25
3	TJC12511-3ABX	8.70	4.10	2.50
4	TJC12511-4ABX	9.95	5.35	3.75
5	TJC12511-5ABX	11.20	6.60	5.00
6	TJC12511-6ABX	12.45	7.85	6.25
7	TJC12511-7ABX	13.70	9.10	7.50
8	TJC12511-8ABX	14.95	10.35	8.75
9	TJC12511-9ABX	16.20	11.60	10.00
10	TJC12511-10ABX	17.45	12.85	11.25
12	TJC12511-12ABX	19.95	15.35	13.75
材质 · 表面处理 Material and Finish				
PA UL94V-0; 黄铜 镀金 Brass Gold · Plated				

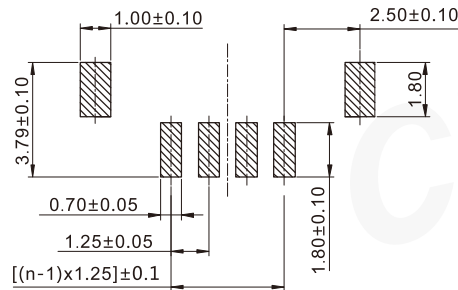
阳连接器 (卧式, 表面装贴) Header (H, SMT)



线数 Poles	型号 Type	尺寸 Dimensions (mm)		
		A	B	C
2	TJC12511-2AWB	7.45	2.85	1.25
3	TJC12511-3AWB	8.70	4.10	2.50
4	TJC12511-4AWB	9.95	5.35	3.75
5	TJC12511-5AWB	11.20	6.60	5.00
6	TJC12511-6AWB	12.45	7.85	6.25
7	TJC12511-7AWB	13.70	9.10	7.50
8	TJC12511-8AWB	14.95	10.35	8.75
9	TJC12511-9AWB	16.20	11.60	10.00
10	TJC12511-10AWB	17.45	12.85	11.25
12	TJC12511-12AWB	19.95	15.35	13.75
材质 · 表面处理 Material and Finish				
PA UL94V-0; 黄铜 镀金 Brass Gold · Plated				

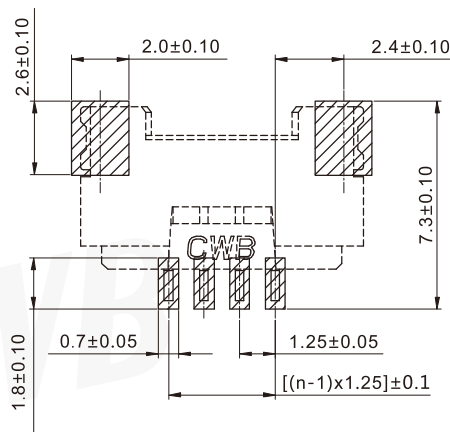
安装尺寸 Mounting Measurement

TJC12511-nABX



PCB Layout

TJC12511-nAWB



PCB Layout