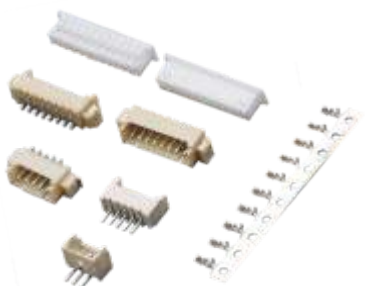


# TJC1255 型条形连接器

## TJC1255 Bar Connector

间距 ( space ) : 1.25mm

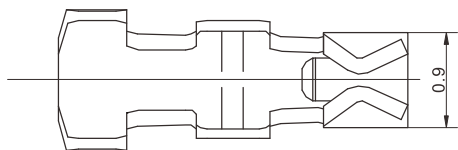
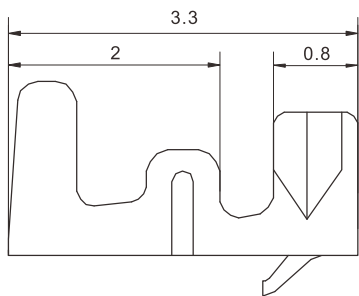


### 技术参数 ( SPECIFICATIONS )

- 适用线规 ( Applicable wires ) : AWG#28~AWG#26
- 温度范围 ( Temperature range ) : -25°C~85°C
- 额定电压 ( Voltage rating ) : 200V AC/DC
- 额定电流 ( Current rating ) : 1A
- 接触电阻 ( Contact resistance ) :  $\leq 0.03\Omega$
- 绝缘电阻 ( Insulation resistance ) :  $\geq 1000M\Omega$
- 耐压 ( Withstand voltage ) : 1000V AC/minute

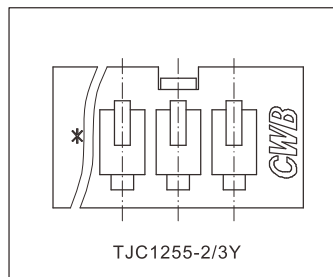
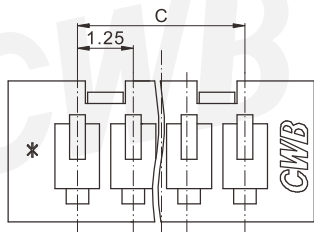
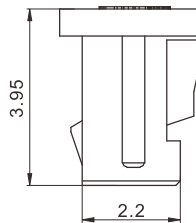
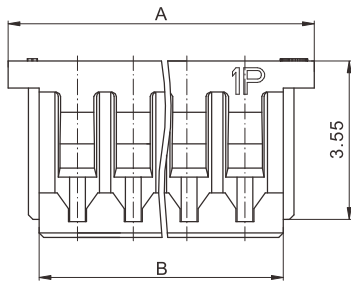
认证 ( STANDARDS ) :  E200881

### 端子 TERMINAL



型号 Type	适用导线范围 Wire Range		导线外径 Wire ins.Dis
	mm <sup>2</sup>	AWG#	
CH-TJC1255	0.08~0.13	28~26	1.2~1.3
材质·表面处理 Material and Finish			
磷青铜 镀锡 Phos·bronze Tin·Plated			

### 阴连接器 HOUSING



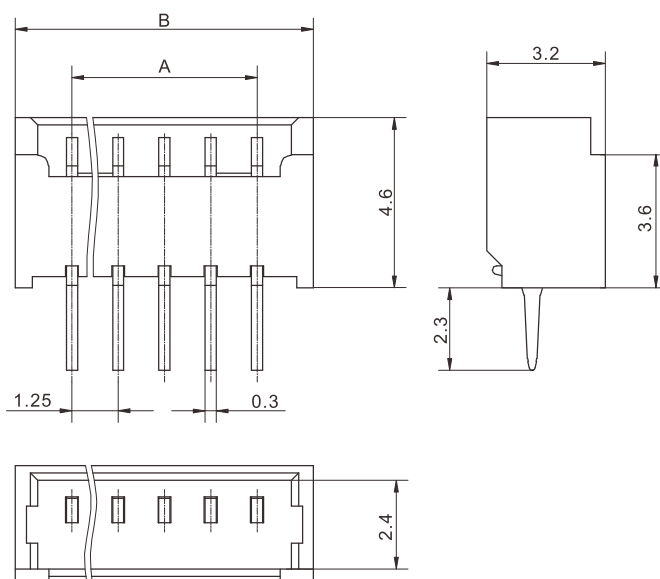
# TJC1255 型条形连接器

## TJC1255 Bar Connector

间距 ( space ) : 1.25mm

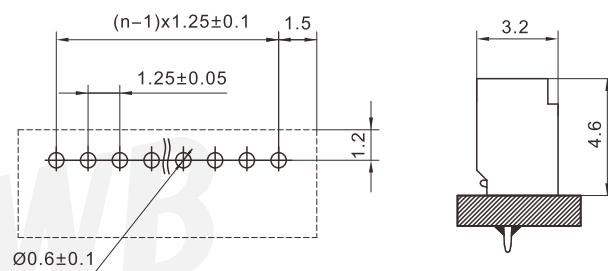
线数 Poles	型号 Type	尺寸 Dimensions ( mm )			线数 Poles	型号 Type	尺寸 Dimensions ( mm )		
		A	B	C			A	B	C
2	TJC1255-2Y	4.35	2.95	1.25	9	TJC1255-9Y	13.10	11.70	10.00
3	TJC1255-3Y	5.60	4.20	2.50	10	TJC1255-10Y	14.35	12.95	11.25
4	TJC1255-4Y	6.85	5.45	3.75	11	TJC1255-11Y	15.60	14.20	12.50
5	TJC1255-5Y	8.10	6.70	5.00	12	TJC1255-12Y	16.85	15.45	13.75
6	TJC1255-6Y	9.35	7.95	6.25	13	TJC1255-13Y	18.10	16.70	15.00
7	TJC1255-7Y	10.60	9.20	7.50	14	TJC1255-14Y	19.35	17.95	16.25
8	TJC1255-8Y	11.85	10.45	8.75	15	TJC1255-15Y	20.60	19.20	17.50
材质 · 表面处理 Material and Finish					PA66 UL94V-0				

### 阳连接器 HEADER ( 180° )



线数 Poles	型号 Type	尺寸 Dimensions ( mm )	
		A	B
2	TJC1255-2A	1.25	4.25
3	TJC1255-3A	2.50	5.50
4	TJC1255-4A	3.75	6.75
5	TJC1255-5A	5.00	8.00
6	TJC1255-6A	6.25	9.25
7	TJC1255-7A	7.50	10.50
8	TJC1255-8A	8.75	11.75
9	TJC1255-9A	10.00	13.00
10	TJC1255-10A	11.25	14.25
11	TJC1255-11A	12.50	15.50
12	TJC1255-12A	13.75	16.75
13	TJC1255-13A	15.00	18.00
14	TJC1255-14A	16.25	19.25
15	TJC1255-15A	17.50	20.50
16	TJC1255-16A	18.75	21.75
材质 · 表面处理 Material and Finish PA UL94V-0; 磷青铜 镀锡 Phos · bronze Tin · Plated			

### 安装尺寸 MOUNTING MEASUREMENT



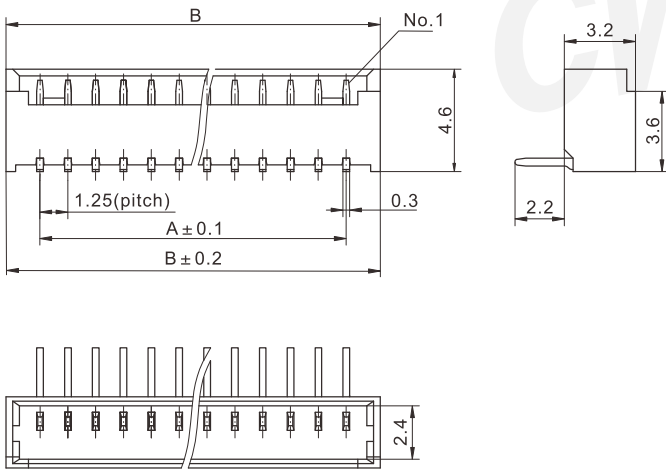
PCB Layout

# TJC1255 型条形连接器

## TJC1255 Bar Connector

间距 (space) : 1.25mm

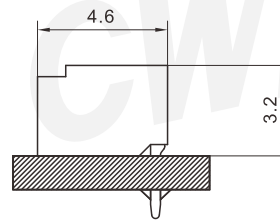
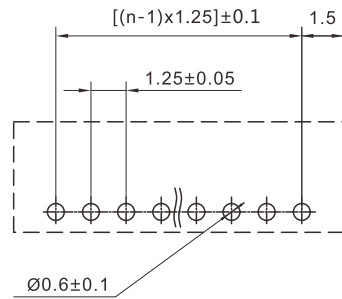
### 阳连接器 WAFER ( 180° )



线数 Poles	型号 Type	尺寸 Dimensions ( mm )	
		A	B
2	TJC1255-2AW	1.25	4.25
3	TJC1255-3AW	2.50	5.50
4	TJC1255-4AW	3.75	6.75
5	TJC1255-5AW	5.00	8.00
6	TJC1255-6AW	6.25	9.25
7	TJC1255-7AW	7.50	10.50
8	TJC1255-8AW	8.75	11.75
9	TJC1255-9AW	10.00	13.00
10	TJC1255-10AW	11.25	14.25
11	TJC1255-11AW	12.50	15.50
12	TJC1255-12AW	13.75	16.75
13	TJC1255-13AW	15.00	18.00
14	TJC1255-14AW	16.25	19.25
15	TJC1255-15AW	17.50	20.50
16	TJC1255-16AW	18.75	21.75

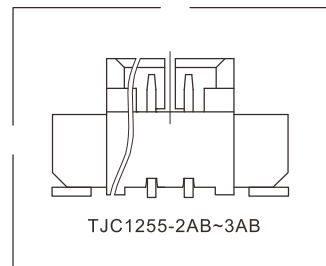
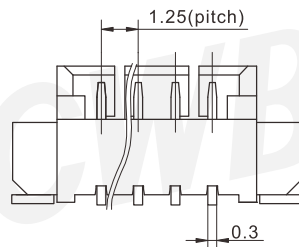
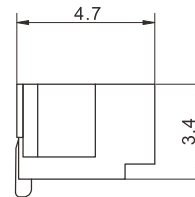
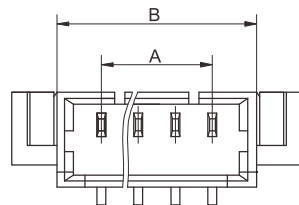
材质 · 表面处理 Material and Finish  
PA UL94V-0; 磷青铜 镀锡 Phos · bronze Tin · Plated

### 安装尺寸 MOUNTING MEASUREMENT



### PCB Layout

### 阳连接器 HEADER ( 180° ) ( SMT )

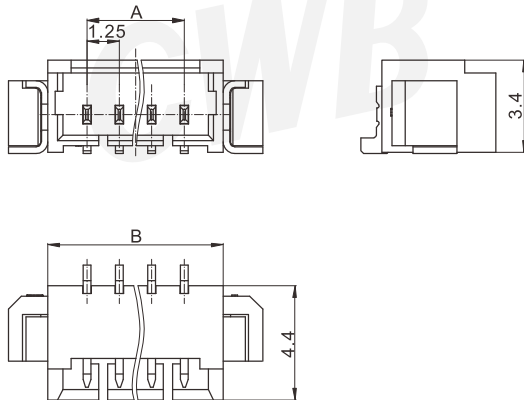


# TJC1255 型条形连接器

## TJC1255 Bar Connector

间距 ( space ) : 1.25mm

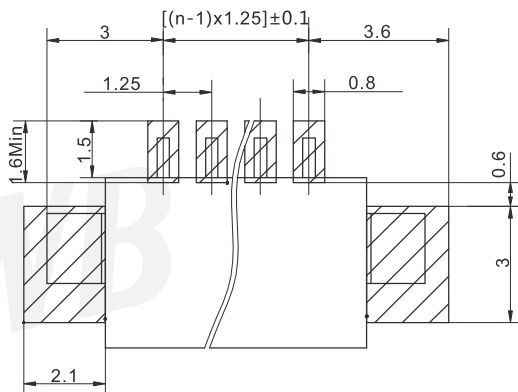
### 阳连接器 HEADER ( 90° ) ( SMT )



线数 Poles	型号 Type		尺寸 Dimensions ( mm )	
	SMT ( 180° )	SMT ( 90° )	A	B
2	TJC1255-2AB	TJC1255-2AWB	1.25	4.25
3	TJC1255-3AB	TJC1255-3AWB	2.50	5.50
4	TJC1255-4AB	TJC1255-4AWB	3.75	6.75
5	TJC1255-5AB	TJC1255-5AWB	5.00	8.00
6	TJC1255-6AB	TJC1255-6AWB	6.25	9.25
7	TJC1255-7AB	TJC1255-7AWB	7.50	10.50
8	TJC1255-8AB	TJC1255-8AWB	8.75	11.75
9	TJC1255-9AB	TJC1255-9AWB	10.00	13.00
10	TJC1255-10AB	TJC1255-10AWB	11.25	14.25
11	TJC1255-11AB	TJC1255-11AWB	12.50	15.50
12	TJC1255-12AB	TJC1255-12AWB	13.75	16.75
13	TJC1255-13AB	TJC1255-13AWB	15.00	18.00
14	TJC1255-14AB	TJC1255-14AWB	16.25	19.25
15	TJC1255-15AB	TJC1255-15AWB	17.50	20.50
16	TJC1255-16AB	TJC1255-16AWB	18.75	21.75

材质 · 表面处理 Material and Finish  
PA UL94V-0; 磷青铜 镀锡 Phos · bronze Tin · Plated

### 安装尺寸 MOUNTING MEASUREMENT



PCB Layout