


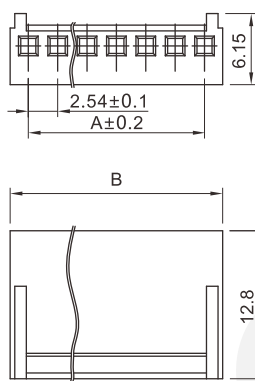


技术参数 (SPECIFICATIONS)

适用线规 (Applicable wires) : AWG#26~AWG#24
 适应基板厚度 (Applicable PC board thickness) : 0.8 ~ 1.2 mm
 温度范围 (Temperature range) : -25°C~85°C
 额定电压 (Voltage rating) : 250V AC/DC
 额定电流 (Current rating) : 3A
 接触电阻 (Contact resistance) : $\leq 0.01 \Omega$
 绝缘电阻 (Insulation resistance) : $\geq 1000M\Omega$
 耐压 (Withstand voltage) : 1000V AC/minute
 对配插簧 (Matched Terminal) : TJC2510 Terminal

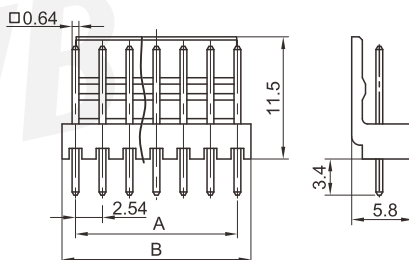
认证 (STANDARDS) :  E200881

阴连接器 HOUSING

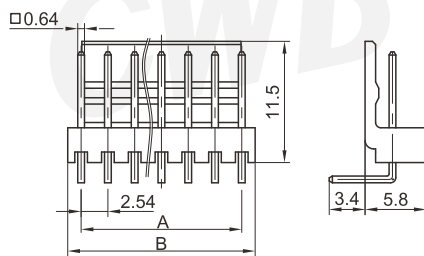


线数 Poles	型号 Type	尺寸Dimensions(mm)		线数 Poles	型号 Type	尺寸Dimensions(mm)	
		A	B			A	B
2	TJC13-2Y	2.54	5.68	12	TJC13-12Y	27.94	31.08
3	TJC13-3Y	5.08	8.22	13	TJC13-13Y	30.48	33.62
4	TJC13-4Y	7.62	10.78	14	TJC13-14Y	33.02	36.16
5	TJC13-5Y	10.16	13.30	15	TJC13-15Y	35.56	38.70
6	TJC13-6Y	12.70	15.84	16	TJC13-16Y	38.10	41.24
7	TJC13-7Y	15.24	18.38	17	TJC13-17Y	40.64	43.78
8	TJC13-8Y	17.78	20.92	18	TJC13-18Y	43.18	46.32
9	TJC13-9Y	20.32	23.46	19	TJC13-19Y	45.72	48.86
10	TJC13-10Y	22.86	26.00	20	TJC13-20Y	48.26	51.40
11	TJC13-11Y	25.40	28.54				
材质 · 表面处理 Material and Finish						PA66 UL94V-0	

阳连接器 (直式) HEADER (180°)



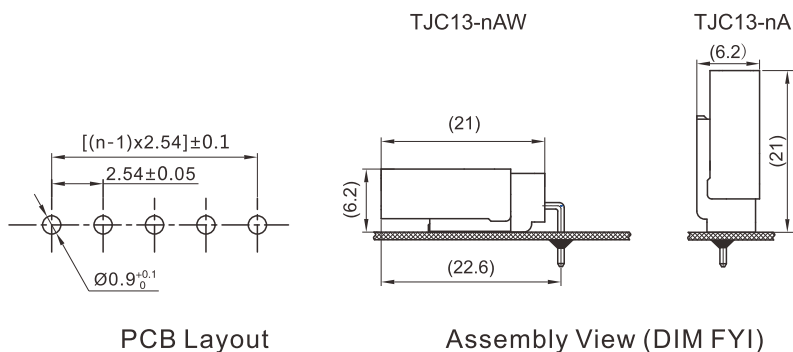
阳连接器 (弯式) HEADER (90°)



线数 Poles	型号 Type		尺寸Dimensions(mm)		线数 Poles	型号 Type		尺寸Dimensions(mm)	
	直式 (180°)	弯式 (90°)	A	B		直式 (180°)	弯式 (90°)	A	B
2	TJC13-2A	TJC13-2AW	2.54	5.08	12	TJC13-12A	TJC13-12AW	27.94	30.48
3	TJC13-3A	TJC13-3AW	5.08	7.62	13	TJC13-13A	TJC13-13AW	30.48	33.02
4	TJC13-4A	TJC13-4AW	7.62	10.16	14	TJC13-14A	TJC13-14AW	33.02	35.56
5	TJC13-5A	TJC13-5AW	10.16	12.70	15	TJC13-15A	TJC13-15AW	35.56	38.10
6	TJC13-6A	TJC13-6AW	12.70	15.24	16	TJC13-16A	TJC13-16AW	38.10	40.64
7	TJC13-7A	TJC13-7AW	15.24	17.78	17	TJC13-17A	TJC13-17AW	40.64	43.18
8	TJC13-8A	TJC13-8AW	17.78	20.32	18	TJC13-18A	TJC13-18AW	43.18	45.72
9	TJC13-9A	TJC13-9AW	20.32	22.86	19	TJC13-19A	TJC13-19AW	45.72	48.26
10	TJC13-10A	TJC13-10AW	22.86	25.40	20	TJC13-20A	TJC13-20AW	48.26	50.80
11	TJC13-11A	TJC13-11AW	25.40	27.94					

材质 · 表面处理 Material and Finish
PA66 UL94V-0; 黄铜 镀锡 Brass Tin · Plated

安装尺寸 MOUNTING MEASUREMENT



PCB Layout

Assembly View (DIM FYI)