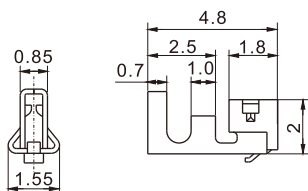


技术参数 (Specifications)

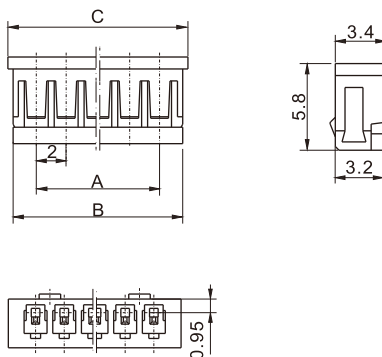
- 适用线规 (Applicable wires) : AWG#28~ AWG#22
- 适应基板厚度 (Applicable PC board thickness) : 1.6mm
- 温度范围 (Temperature range) : -25℃~85℃
- 额定电压 (Voltage rating) : 250V AC/DC
- 额定电流 (Current rating) : 1A
- 接触电阻 (Contact resistance) : $\leq 10m\Omega$
- 绝缘电阻 (Insulation resistance) : $\geq 1000M\Omega$
- 耐压 (Withstand voltage) : 800V AC/minute

插簧 Contact



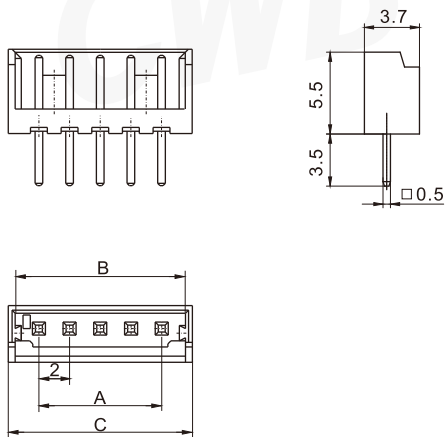
型号 Type	适用导线范围 Wire Range		导线外径 Wire ins.Dis
	mm ²	AWG#	
CH-TJC15	0.08~0.33	28~22	1.2~1.6
材质·表面处理 Material and Finish			
磷青铜 镀锡 Phos·bronze Tin·Plated			

孔座 Housing



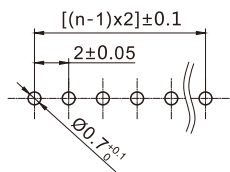
线数 Poles	型号 Type	尺寸 Dimensions(mm)			线数 Poles	型号 Type	尺寸 Dimensions(mm)		
		A	B	C			A	B	C
2	TJC15-2Y	2.0	5.0	5.8	9	TJC15-9Y	16.0	19.0	19.8
3	TJC15-3Y	4.0	7.0	7.8	10	TJC15-10Y	18.0	21.0	21.8
4	TJC15-4Y	6.0	9.0	9.8	11	TJC15-11Y	20.0	23.0	23.8
5	TJC15-5Y	8.0	11.0	11.8	12	TJC15-12Y	22.0	25.0	25.8
6	TJC15-6Y	10.0	13.0	13.8	13	TJC15-13Y	24.0	27.0	27.8
7	TJC15-7Y	12.0	15.0	15.8	14	TJC15-14Y	26.0	29.0	29.8
8	TJC15-8Y	14.0	17.0	17.8	15	TJC15-15Y	28.0	31.0	31.8
材质 Material		PA66 UL94V-0							

阳连接器 (立式, 直插) Header (V, DIP)

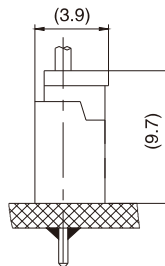


线数 Poles	型号 Type	尺寸 Dimensions(mm)			线数 Poles	型号 Type	尺寸 Dimensions(mm)		
		A	B	C			A	B	C
2	TJC15-2A	2.0	5.1	6.0	9	TJC15-9A	16.0	19.1	20.0
3	TJC15-3A	4.0	7.1	8.0	10	TJC15-10A	18.0	21.1	22.0
4	TJC15-4A	6.0	9.1	10.0	11	TJC15-11A	20.0	23.1	24.0
5	TJC15-5A	8.0	11.1	12.0	12	TJC15-12A	22.0	25.1	26.0
6	TJC15-6A	10.0	13.1	14.0	13	TJC15-13A	24.0	27.1	28.0
7	TJC15-7A	12.0	15.1	16.0	14	TJC15-14A	26.0	29.1	30.0
8	TJC15-8A	14.0	17.1	18.0	15	TJC15-15A	28.0	31.1	32.0
材质 · 表面处理 Material and Finish									
PA66 UL94V-0; 黄铜 镀锡 Brass Tin · Plated									

安装尺寸 Mounting Measurement



PCB Layout



Assembly View (DIM FYI)