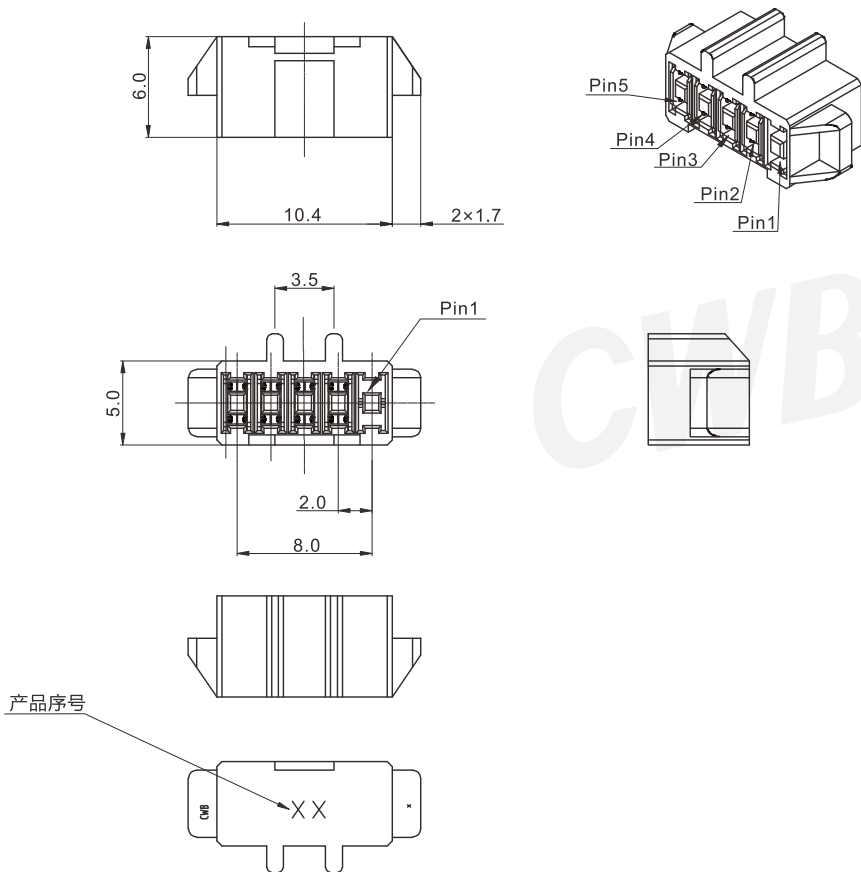


技术参数 ( SPECIFICATIONS )



适应基板厚度 ( Applicable PC board thickness ) : 1.6 mm  
 温度范围 ( Temperature range ) : -25℃~85℃  
 额定电压 ( Voltage rating ) : 250V AC/DC  
 额定电流 ( Current rating ) : 2A  
 接触电阻 ( Contact resistance ) :  $\leq 0.02\Omega$   
 绝缘电阻 ( Insulation resistance ) :  $\geq 500M\Omega$   
 耐压 ( Withstand voltage ) : 800V AC/minute

阴连接器 HOUSING



线数 Poles	型号 Type	Pin 5	Pin 4	Pin 3	Pin 2	Pin 1	插簧数量	
2 × 5Y	TJC20033-2 × 5Y-01 ( RD )	0	0	0	0	1	2	1表示该孔装配插簧,0表示不装配插簧
2 × 5Y	TJC20033-2 × 5Y-02 ( RD )	0	0	0	1	0	2	
2 × 5Y	TJC20033-2 × 5Y-03 ( RD )	0	0	0	1	1	4	
2 × 5Y	TJC20033-2 × 5Y-04 ( RD )	0	0	1	0	0	2	
2 × 5Y	TJC20033-2 × 5Y-05 ( RD )	0	0	1	0	1	4	
2 × 5Y	TJC20033-2 × 5Y-06 ( RD )	0	0	1	1	0	4	
2 × 5Y	TJC20033-2 × 5Y-07 ( RD )	0	0	1	1	1	6	
2 × 5Y	TJC20033-2 × 5Y-08 ( RD )	0	1	0	0	0	2	
2 × 5Y	TJC20033-2 × 5Y-09 ( RD )	0	1	0	0	1	4	
2 × 5Y	TJC20033-2 × 5Y-10 ( RD )	0	1	0	1	0	4	
2 × 5Y	TJC20033-2 × 5Y-11 ( RD )	0	1	0	1	1	6	

# TJC20033 条形连接器

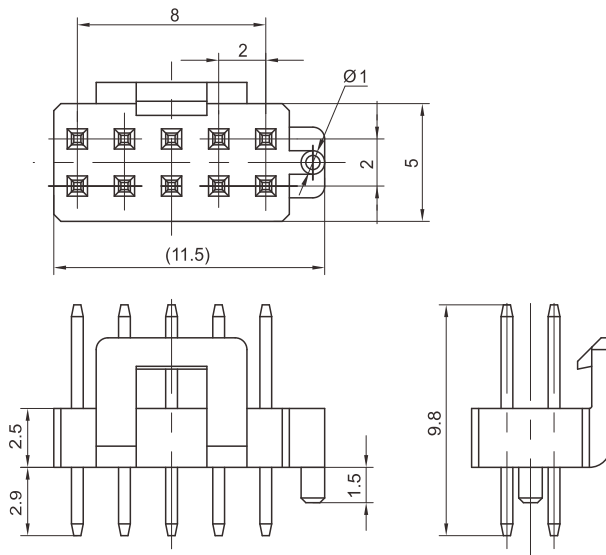
## TJC20033 Connector

间距 ( space ) :2.0mm

线数 Poles	型号 Type	Pin 5	Pin 4	Pin 3	Pin 2	Pin 1	插簧数量	
2×5Y	TJC20033-2×5Y-12(RD)	0	1	1	0	0	4	1表示该孔装配插簧,0表示不装配插簧
2×5Y	TJC20033-2×5Y-13(RD)	0	1	1	0	1	6	
2×5Y	TJC20033-2×5Y-14(RD)	0	1	1	1	0	6	
2×5Y	TJC20033-2×5Y-15(RD)	0	1	1	1	1	8	
2×5Y	TJC20033-2×5Y-16(RD)	1	0	0	0	0	2	
2×5Y	TJC20033-2×5Y-17(RD)	1	0	0	0	1	4	
2×5Y	TJC20033-2×5Y-18(RD)	1	0	0	1	0	4	
2×5Y	TJC20033-2×5Y-19(RD)	1	0	0	1	1	6	
2×5Y	TJC20033-2×5Y-20(RD)	1	0	1	0	0	4	
2×5Y	TJC20033-2×5Y-21(RD)	1	0	1	0	1	6	
2×5Y	TJC20033-2×5Y-22(RD)	1	0	1	1	0	6	
2×5Y	TJC20033-2×5Y-23(RD)	1	0	1	1	1	8	
2×5Y	TJC20033-2×5Y-24(RD)	1	1	0	0	0	4	
2×5Y	TJC20033-2×5Y-25(RD)	1	1	0	0	1	6	
2×5Y	TJC20033-2×5Y-26(RD)	1	1	0	1	0	6	
2×5Y	TJC20033-2×5Y-27(RD)	1	1	0	1	1	8	
2×5Y	TJC20033-2×5Y-28(RD)	1	1	1	0	0	6	
2×5Y	TJC20033-2×5Y-29(RD)	1	1	1	0	1	8	
2×5Y	TJC20033-2×5Y-30(RD)	1	1	1	1	0	8	

材质·表面处理 Material and Finish PA66 UL94V-0  
磷青铜 局部镀金 Phos·bronze Ni under plated over all and Au plated on the contact area

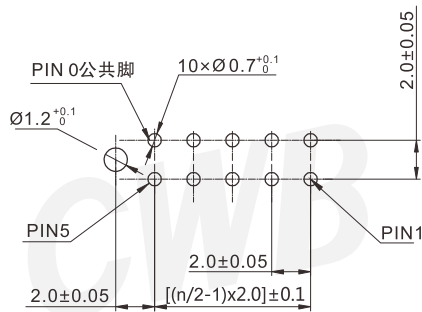
### 阳连接器 HEADER



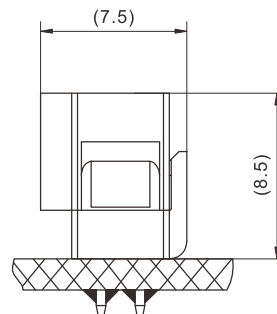
线数 Poles	型号 Type
2×5A	TJC20033-2×5AD

材质·表面处理 Material and Finish PA66 UL94V-0  
黄铜 镀金 Brass Au·Plated

### 安装尺寸 MOUNTING MEASUREMENT



PCB Layout



Assembly View (DIM FYI)