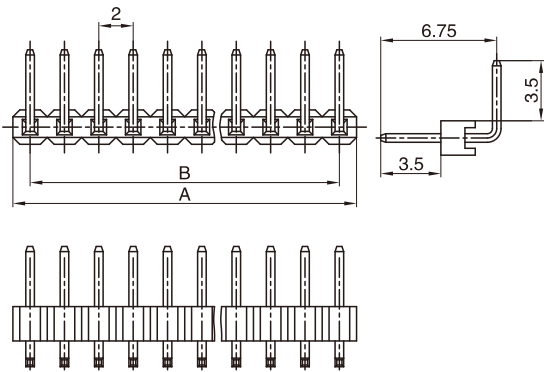


技术参数 (Specifications)

- 适应基板厚度 (Applicable PC board thickness) : 1.2~1.6 mm
- 温度范围 (Temperature range) : -25°C~85°C
- 额定电压 (Voltage rating) : 250V AC/DC
- 额定电流 (Current rating) : 2A
- 绝缘电阻 (Insulation resistance) : $\geq 1000M\Omega$
- 耐压 (Withstand voltage) : 800V AC/minute

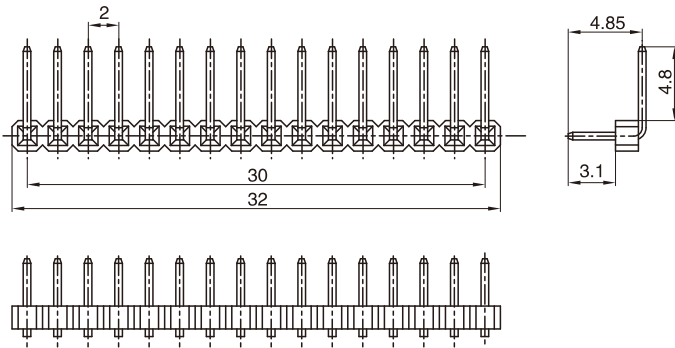
阳连接器 (卧式, 直插) Header (H, DIP)



线数 Poles	型号 Type	尺寸 Dimensions(mm)		线数 Poles	型号 Type	尺寸 Dimensions(mm)	
		A	B			A	B
2	TJC2008-2AW	4	2	12	TJC2008-12AW	24	22
3	TJC2008-3AW	6	4	13	TJC2008-13AW	26	24
4	TJC2008-4AW	8	6	14	TJC2008-14AW	28	26
5	TJC2008-5AW	10	8	15	TJC2008-15AW	30	28
6	TJC2008-6AW	12	10	16	TJC2008-16AW	32	30
7	TJC2008-7AW	14	12	17	TJC2008-17AW	34	32
8	TJC2008-8AW	16	14	18	TJC2008-18AW	36	34
9	TJC2008-9AW	18	16	19	TJC2008-19AW	38	36
10	TJC2008-10AW	20	18	20	TJC2008-20AW	40	38
11	TJC2008-11AW	22	20				

材质 · 表面处理 Material and Finish
PA66 UL94V-0; 黄铜 镀金 Brass Gold · Plated

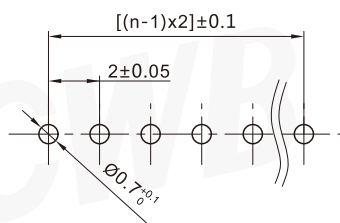
阳连接器 (卧式, 直插) Header (H, DIP)



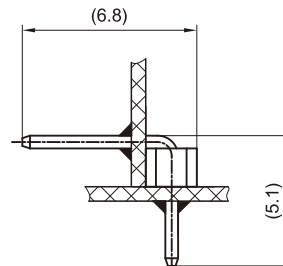
线数 Poles	型号 Type
16	TJC2008-16AW-1

材质 · 表面处理 Material and Finish
PBT UL94V-0; 黄铜 镀金 Brass Gold · Plated

安装尺寸 Mounting Measurement



PCB Layout



Assembly View (DIM FYI)