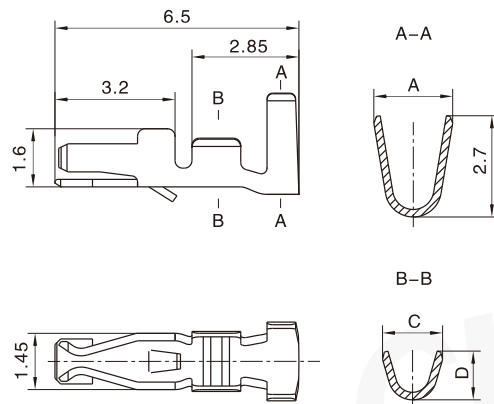


技术参数 (Specifications)

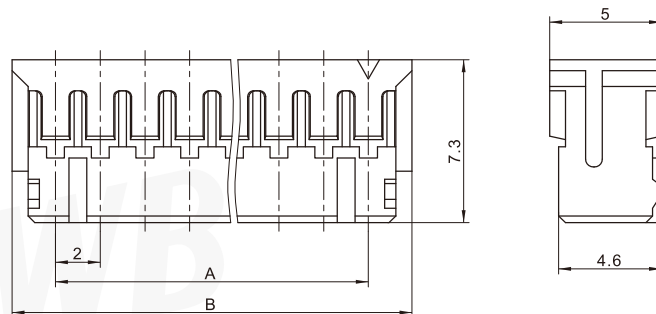
- 适用线规 (Applicable wires) : AWG#28~AWG#22
- 适应基板厚度 (Applicable PC board thickness) : 0.8~1.6 mm
- 温度范围 (Temperature range) : -40°C~85°C
- 额定电压 (Voltage rating) : 250V AC/DC
- 额定电流 (Current rating) : 3A Max.(AWG#22)
- 接触电阻 (Contact resistance) : $\leq 10m\Omega$
- 绝缘电阻 (Insulation resistance) : $\geq 1000M\Omega$
- 耐电压 (Withstand voltage) : 800V AC/minute

插簧 Contact



型号 Type	适用导线范围 Wire Range		导线外径 Wire ins. Dis	尺寸 Dimensions (mm)			
	mm ²	AWG#		A	B	C	D
CH-TJC20085	0.09 ~ 0.22	28 ~ 24	1.2 ~ 1.4	2.1	2.7	1.6	1.3
CH-TJC20085-1	0.33	22	1.6	2.1	2.6	2.1	1.7
材质 · 表面处理 Material and Finish							
磷青铜 镀锡 Phos · bronze Tin · Plated							

孔座 Housing



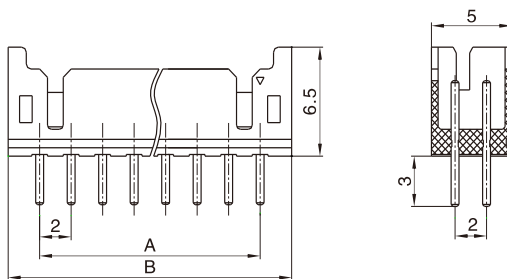
TJC20085 型条形连接器

TJC20085 Bar Connector

间距 (space) :2.0mm

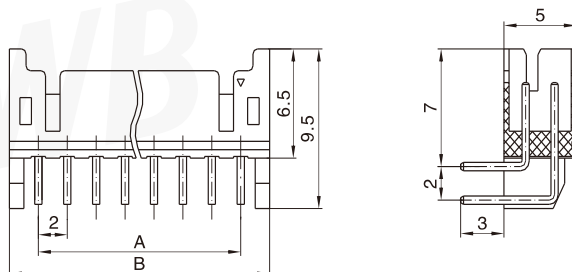
线数 Poles	型号 Type	尺寸 Dimensions (mm)		线数 Poles	型号 Type	尺寸 Dimensions (mm)	
		A	B			A	B
10	TJC20085-2x5Y	8	11.9	22	TJC20085-2x11Y	20	23.9
12	TJC20085-2x6Y	10	13.9	24	TJC20085-2x12Y	22	25.9
14	TJC20085-2x7Y	12	15.9	26	TJC20085-2x13Y	24	27.9
16	TJC20085-2x8Y	14	17.9	28	TJC20085-2x14Y	26	29.9
18	TJC20085-2x9Y	16	19.9	30	TJC20085-2x15Y	28	31.9
20	TJC20085-2x10Y	18	21.9	32	TJC20085-2x16Y	30	33.9
材质 Material							
PA66 UL94V-0							

阳连接器 (直式, 直插, 双排) Header(V, DIP, Double row)



线数 Poles	型号 Type	尺寸 Dimensions (mm)	
		A	B
10	TJC20085-2x5A	8	12
12	TJC20085-2x6A	10	14
14	TJC20085-2x7A	12	16
16	TJC20085-2x8A	14	18
18	TJC20085-2x9A	16	20
20	TJC20085-2x10A	18	22
22	TJC20085-2x11A	20	24
24	TJC20085-2x12A	22	26
26	TJC20085-2x13A	24	28
28	TJC20085-2x14A	26	30
30	TJC20085-2x15A	28	32
32	TJC20085-2x16A	30	34
材质 · 表面处理 Material and Finish			
PA66 UL94V-0; 黄铜 镀锡 Brass Tin · Plated			

阳连接器 (卧式, 直插, 带挡板, 双排) Header (H, DIP, W/PCB stabilizer, Double row)



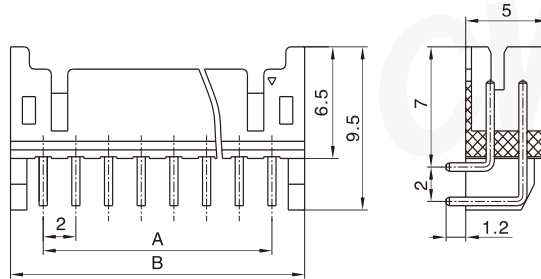
TJC20085 型条形连接器

TJC20085 Bar Connector

间距 (space) :2.0mm

线数 Poles	型号 Type	尺寸 Dimensions (mm)	
		A	B
10	TJC20085-2x5AWJ	8	12
12	TJC20085-2x6AWJ	10	14
14	TJC20085-2x7AWJ	12	16
16	TJC20085-2x8AWJ	14	18
18	TJC20085-2x9AWJ	16	20
20	TJC20085-2x10AWJ	18	22
22	TJC20085-2x11AWJ	20	24
24	TJC20085-2x12AWJ	22	26
26	TJC20085-2x13AWJ	24	28
28	TJC20085-2x14AWJ	26	30
30	TJC20085-2x15AWJ	28	32
32	TJC20085-2x16AWJ	30	34
34	TJC20085-2x17AWJ	32	36
材质 · 表面处理 Material and Finish			
PA66 UL94V-0; 黄铜 镀锡 Brass Tin · Plated			

阳连接器 (卧式, 直插, 带挡板, 双排) Header(H, DIP, W/PCB stabilizer, Double row)



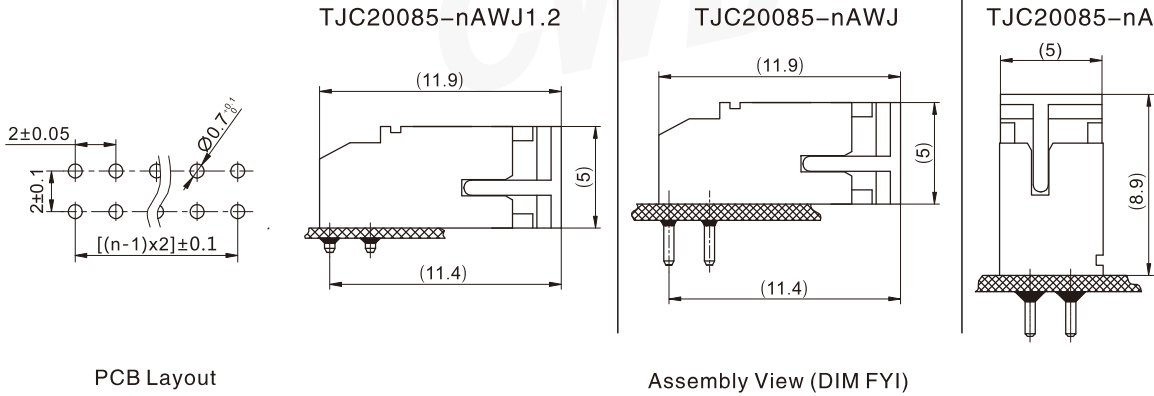
线数 Poles	型号 Type	尺寸 Dimensions (mm)	
		A	B
10	TJC20085-2x5AWJ1.2	8	12
12	TJC20085-2x6AWJ1.2	10	14
14	TJC20085-2x7AWJ1.2	12	16
16	TJC20085-2x8AWJ1.2	14	18
18	TJC20085-2x9AWJ1.2	16	20
20	TJC20085-2x10AWJ1.2	18	22
22	TJC20085-2x11AWJ1.2	20	24
24	TJC20085-2x12AWJ1.2	22	26
26	TJC20085-2x13AWJ1.2	24	28
28	TJC20085-2x14AWJ1.2	26	30
30	TJC20085-2x15AWJ1.2	28	32
32	TJC20085-2x16AWJ1.2	30	34
34	TJC20085-2x17AWJ1.2	32	36
材质 · 表面处理 Material and Finish			
PA66 UL94V-0; 黄铜 镀锡 Brass Tin · Plated			

TJC20085 型条形连接器

TJC20085 Bar Connector

间距 (space) :2.0mm

安装尺寸 Mounting Measurement



PCB Layout

Assembly View (DIM FYI)

CWB