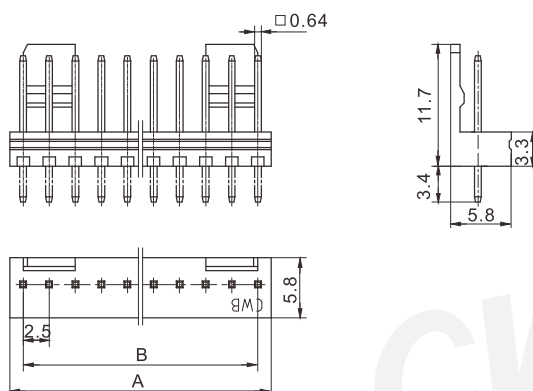




技术参数 (SPECIFICATIONS)

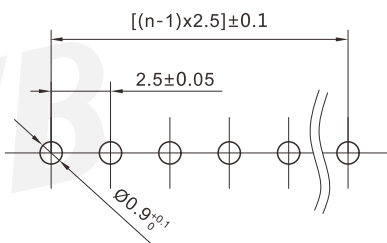
适应基板厚度 (Applicable PC board thickness) : 1.2~1.6mm
 温度范围 (Temperature range) : -25°C~85°C
 额定电压 (Voltage rating) : 250V AC/DC
 额定电流 (Current rating) : 3A
 耐压 (Withstand voltage) : 1000V AC/minute

阳连接器 (直式) HEADER (180°)



| 线数 Poles | 型号 Type | 尺寸 Dimensions(mm) | | 线数 Poles | 型号 Type | 尺寸 Dimensions(mm) | | 线数 Poles | 型号 Type | 尺寸 Dimensions(mm) | |
|-------------------------------|-------------|-------------------|------|--|--------------|-------------------|------|-------------|--------------|-------------------|------|
| | 直式(180°) | A | B | | 直式(180°) | A | B | | 直式(180°) | A | B |
| 2 | TJC25013-2A | 5.0 | 2.5 | 9 | TJC25013-9A | 22.5 | 20.0 | 16 | TJC25013-16A | 40.0 | 37.5 |
| 3 | TJC25013-3A | 7.5 | 5.0 | 10 | TJC25013-10A | 25.0 | 22.5 | 17 | TJC25013-17A | 42.5 | 40.0 |
| 4 | TJC25013-4A | 10.0 | 7.5 | 11 | TJC25013-11A | 27.5 | 25.0 | 18 | TJC25013-18A | 45.0 | 42.5 |
| 5 | TJC25013-5A | 12.5 | 10.0 | 12 | TJC25013-12A | 30.0 | 27.5 | 19 | TJC25013-19A | 47.5 | 45.0 |
| 6 | TJC25013-6A | 15.0 | 12.5 | 13 | TJC25013-13A | 32.5 | 30.0 | 20 | TJC25013-20A | 50.0 | 47.5 |
| 7 | TJC25013-7A | 17.5 | 15.0 | 14 | TJC25013-14A | 35.0 | 32.5 | | | | |
| 8 | TJC25013-8A | 20.0 | 17.5 | 15 | TJC25013-15A | 37.5 | 35.0 | | | | |
| 材质 · 表面处理 Material and Finish | | | | PA66 UL94V-0; 黄铜 镀锡 Brass Tin · Plated | | | | | | | |

安装尺寸 MOUNTING MEASUREMENT



PCB Layout