
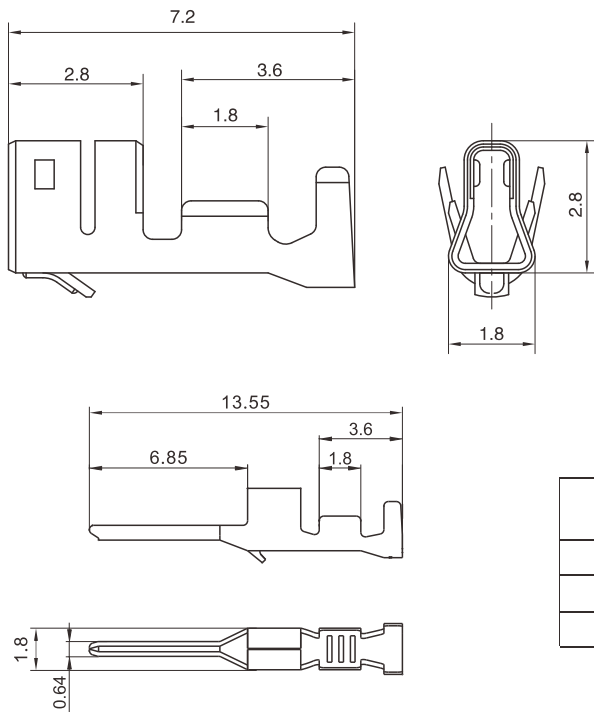




技术参数 ( SPECIFICATIONS )

适用线规 ( Applicable wires ) : AWG#26~AWG#20  
 适应基板厚度 ( Applicable PC board thickness ) : 1.2~1.6 mm  
 温度范围 ( Temperature range ) : -25℃~105℃  
 额定电压 ( Voltage rating ) : 250V AC/DC  
 额定电流 ( Current rating ) : 2.5A  
 接触电阻 ( Contact resistance ) : ≤0.01Ω  
 绝缘电阻 ( Insulation resistance ) : ≥1000MΩ  
 耐压 ( Withstand voltage ) : 1000V AC/minute  
 认证 ( STANDARDS ) :  E200881

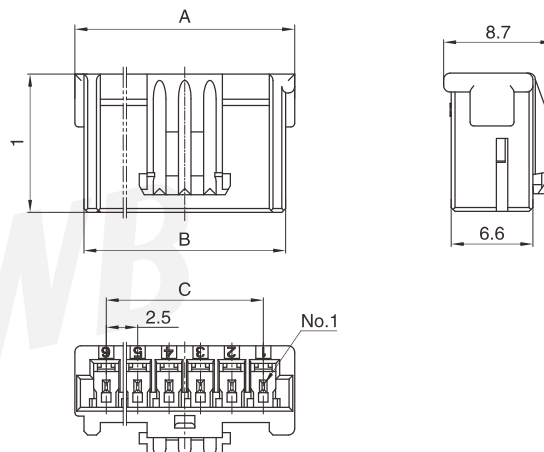
端子 TERMINAL



| 型号<br>Type                   | 适用导线范围 Wire Range |       | 导线外径<br>Wire ins.Dis |
|------------------------------|-------------------|-------|----------------------|
|                              | mm <sup>2</sup>   | AWG#  |                      |
| CH-TJC25014                  | 0.13~0.33         | 26~22 | 1.3~1.6              |
| CH-TJC25014B                 | 0.33~0.5          | 22~20 | 1.6~1.8              |
| 材质·表面处理 Material and Finish  |                   |       |                      |
| 磷青铜镀锡 Phos·bronze Tin·Plated |                   |       |                      |

| 型号<br>Type                   | 适用导线范围 Wire Range |       | 导线外径<br>Wire ins.Dis |
|------------------------------|-------------------|-------|----------------------|
|                              | mm <sup>2</sup>   | AWG#  |                      |
| CZ-TJC25014                  | 0.13~0.33         | 26~22 | 1.3~1.6              |
| 材质·表面处理 Material and Finish  |                   |       |                      |
| 磷青铜镀锡 Phos·bronze Tin·Plated |                   |       |                      |

阴连接器 HOUSING



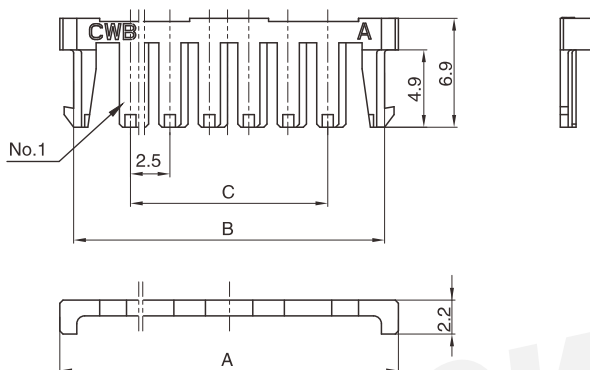
# TJC25014 型条形连接器

## TJC25014 Bar Connector

间距 (space) :2.5mm

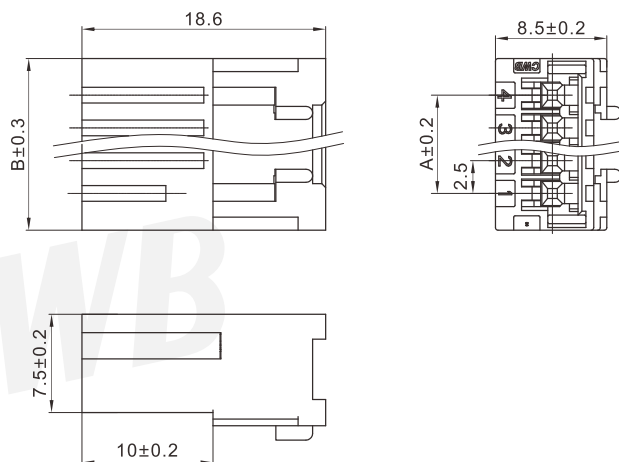
| 线数<br>Poles                                | 型号<br>Type  | 尺寸Dimensions ( mm ) |      |      | 线数<br>Poles | 型号<br>Type   | 尺寸Dimensions ( mm ) |      |      |
|--|-------------|---------------------|------|------|-------------|--------------|---------------------|------|------|
|  |             | A                   | B    | C    |             |              | A                   | B    | C    |
| 2  | TJC25014-2Y | 7.5                 | 6.1  | 2.5  | 8           | TJC25014-8Y  | 22.5                | 21.1 | 17.5 |
| 3  | TJC25014-3Y | 10                  | 8.6  | 5    | 9           | TJC25014-9Y  | 25                  | 23.6 | 20   |
| 4  | TJC25014-4Y | 12.5                | 11.1 | 7.5  | 10          | TJC25014-10Y | 27.5                | 26.1 | 22.5 |
| 5  | TJC25014-5Y | 15                  | 13.6 | 10   | 11          | TJC25014-11Y | 30                  | 28.6 | 25   |
| 6  | TJC25014-6Y | 17.5                | 16.1 | 12.5 | 12          | TJC25014-12Y | 32.5                | 31.1 | 27.5 |
| 7  | TJC25014-7Y | 20                  | 18.6 | 15   | 13          | TJC25014-13Y | 35                  | 33.6 | 30   |
| 材质 · 表面处理 Material and Finish PA66 UL94V-0 |             |                     |      |      |             |              |                     |      |      |

### 锁紧片 LOCK PLATE



| 线数<br>Poles  | 型号<br>Type  | 尺寸Dimensions ( mm ) |      |     | 线数<br>Poles | 型号<br>Type   | 尺寸Dimensions ( mm ) |      |      |
|--|-------------|---------------------|------|-----|-------------|--------------|---------------------|------|------|
|  |             | A                   | B    | C   |             |              | A                   | B    | C    |
| 2  | TJC25014-2S | 6.5                 | 4.7  | /   | 8           | TJC25014-8S  | 21.5                | 19.7 | 12.5 |
| 3  | TJC25014-3S | 9.0                 | 7.2  | /   | 9           | TJC25014-9S  | 24                  | 22.2 | 15   |
| 4  | TJC25014-4S | 11.5                | 9.7  | 2.5 | 10          | TJC25014-10S | 26.5                | 24.7 | 17.5 |
| 5  | TJC25014-5S | 14                  | 12.2 | 5   | 11          | TJC25014-11S | 29                  | 27.2 | 20   |
| 6  | TJC25014-6S | 16.5                | 14.7 | 7.5 | 12          | TJC25014-12S | 31.5                | 29.7 | 22.5 |
| 7  | TJC25014-7S | 19                  | 17.2 | 10  | 13          | TJC25014-13S | 34                  | 32.2 | 25   |
| 材质 · 表面处理 Material and Finish PA66/PA66+GF UL94V-0 |             |                     |      |     |             |              |                     |      |      |

### 阳连接器 HEADER



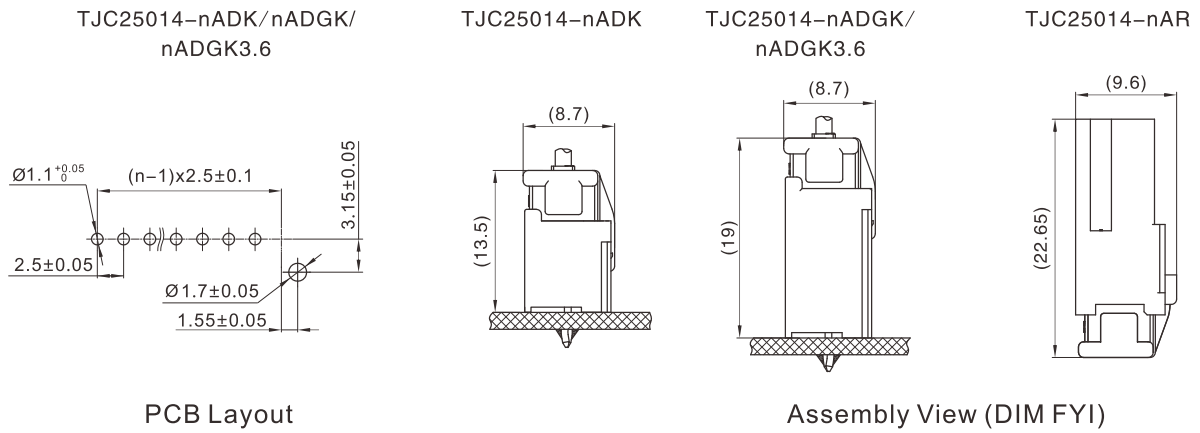
# TJC25014 型条形连接器

## TJC25014 Bar Connector

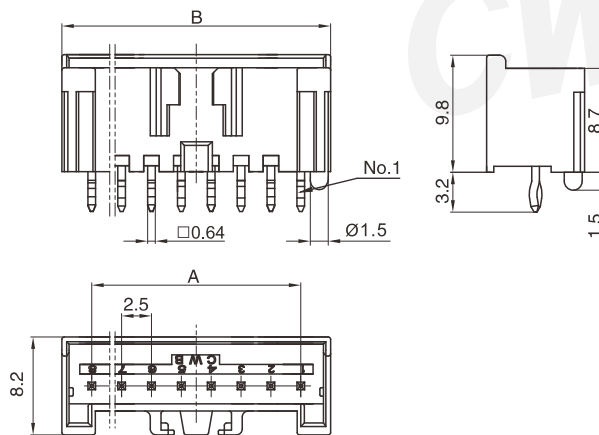
间距 ( space ) :2.5mm

| 线数<br>Poles                   | 型号<br>Type   | 尺寸Dimensions(mm) |      | 线数<br>Poles  | 型号<br>Type   | 尺寸Dimensions(mm) |      |
|-------------------------------|--------------|------------------|------|--------------|--------------|------------------|------|
|                               |              | A                | B    |              |              | A                | B    |
| 2                             | TJC25014-2AR | 2.5              | 8.1  | 4            | TJC25014-4AR | 7.5              | 13.1 |
| 3                             | TJC25014-3AR | 5.0              | 10.6 | 6            | TJC25014-6AR | 12.5             | 18.1 |
| 材质 · 表面处理 Material and Finish |              |                  |      | PA66 UL94V-0 |              |                  |      |

### 安装尺寸 MOUNTING MEASUREMENT



### 阳连接器 ( 直式 ) HEADER ( 180° )

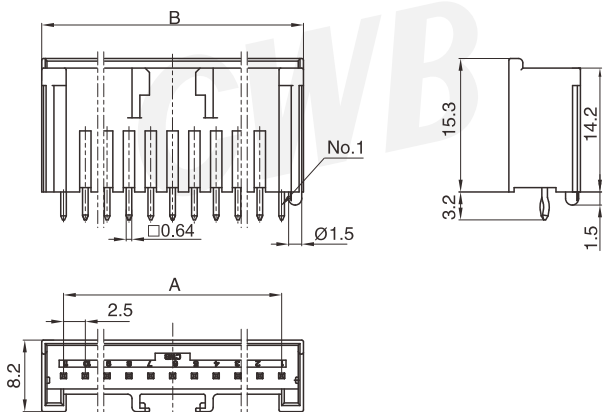


| 线数<br>Poles                   | 型号Type         | 尺寸Dimensions ( mm )      |      |
|-------------------------------|----------------|--------------------------|------|
|                               |                | A                        | B    |
| 5                             | TJC25014-5ADK  | 10                       | 15   |
| 6                             | TJC25014-6ADK  | 12.5                     | 17.5 |
| 7                             | TJC25014-7ADK  | 15                       | 20   |
| 8                             | TJC25014-8ADK  | 17.5                     | 22.5 |
| 10                            | TJC25014-10ADK | 22.5                     | 27.5 |
| 11                            | TJC25014-11ADK | 25                       | 30   |
| 12                            | TJC25014-12ADK | 27.5                     | 32.5 |
| 13                            | TJC25014-13ADK | 30                       | 35   |
| 材质 · 表面处理 Material and Finish |                | PA66/PA66+GF UL94V-0     |      |
|                               |                | 黄铜 镀锡 Brass Tin · Plated |      |

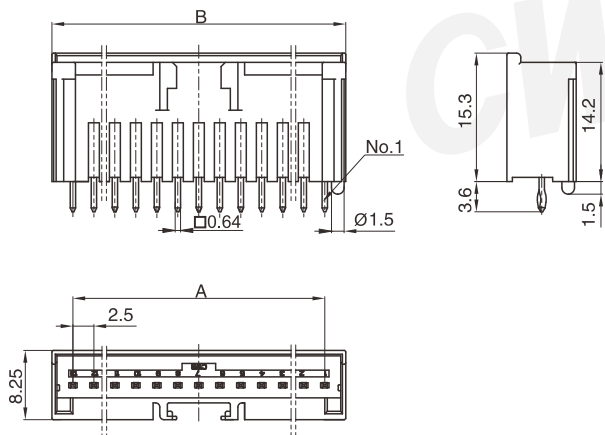
# TJC25014 型条形连接器

## TJC25014 Bar Connector

间距 ( space ) :2.5mm



| 线数<br>Poles                   | 型号Type          | 尺寸Dimensions ( mm )      |      |
|-------------------------------|-----------------|--------------------------|------|
|                               |                 | A                        | B    |
| 4                             | TJC25014-4ADGK  | 7.5                      | 12.5 |
| 11                            | TJC25014-11ADGK | 25                       | 30   |
| 材质 · 表面处理 Material and Finish |                 | PA66+GF UL94V-0          |      |
|                               |                 | 黄铜 镀锡 Brass Tin · Plated |      |



| 线数<br>Poles                   | 型号Type             | 尺寸Dimensions ( mm )                    |    |
|-------------------------------|--------------------|--|----|
|                               |                    | A                                      | B  |
| 9                             | TJC25024-9ADGK3.6  | 20                                     | 25 |
| 13                            | TJC25024-13ADGK3.6 | 30                                     | 35 |
| 材质 · 表面处理 Material and Finish |                    | PA66 UL94V-0; 黄铜 镀锡 Brass Tin · Plated |    |