
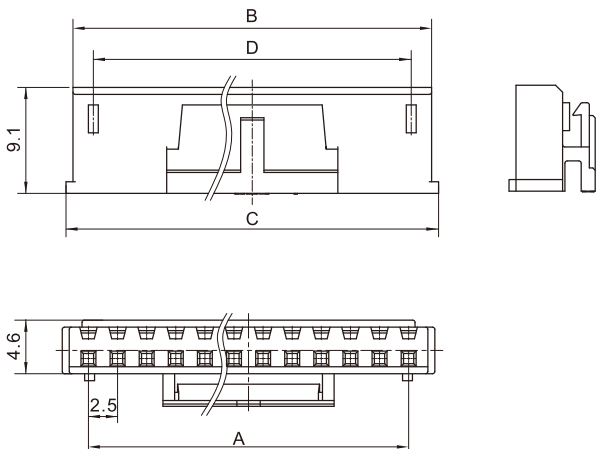


**技术参数 ( Specifications )**

- 适用线规 ( Applicable wires ) : AWG#28~AWG#22
- 适应基板厚度 ( Applicable PC board thickness ) : 1.2~1.6 mm
- 温度范围 ( Temperature range ) : -25°C~85°C
- 额定电压 ( Voltage rating ) : 250V AC/DC
- 额定电流 ( Current rating ) : 3A
- 接触电阻 ( Contact resistance ) :  $\leq 10m\Omega$
- 绝缘电阻 ( Insulation resistance ) :  $\geq 1000M\Omega$
- 耐压 ( Withstand voltage ) : 1000V AC/minute
- 对配插簧 ( Matched Contact ) : TJC3 Terminal

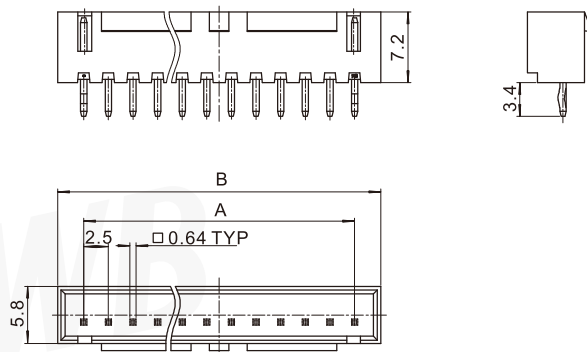
认证 ( Standards ) :  E200881

**孔座 Housing**



线数 Poles	型号 Type	尺寸 Dimensions(mm)			
		A	B	C	D
2	TJC25020-2Y	2.5	5.8	7.0	/
3	TJC25020-3Y	5.0	8.3	9.5	/
4	TJC25020-4Y	7.5	10.8	12.0	7.3
5	TJC25020-5Y	10.0	13.3	14.5	9.8
6	TJC25020-6Y	12.5	15.8	17.0	12.3
7	TJC25020-7Y	15.0	18.3	19.5	14.8
8	TJC25020-8Y	17.5	20.8	22.0	17.3
9	TJC25020-9Y	20.0	23.3	24.5	19.8
10	TJC25020-10Y	22.5	25.8	27.0	22.3
11	TJC25020-11Y	25.0	28.3	29.5	24.8
12	TJC25020-12Y	27.5	30.8	32.0	27.3
材质 Material		PA66 UL94V-0			

**阳连接器 (立式, 直插, 含小弯) Header (V, DIP, W/Kink)**

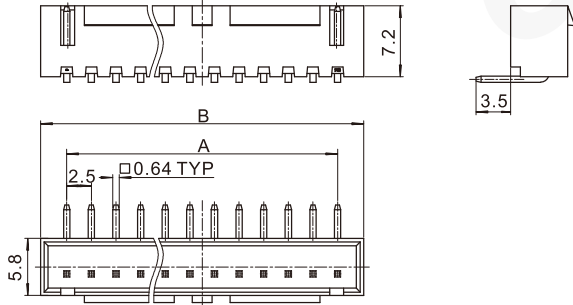


# TJC25020 型条形连接器

## TJC25020 Bar Connector

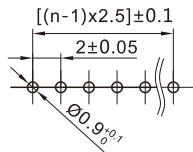
间距 ( space ) :2.5mm

### 阳连接器 (卧式, 直插) Header (H, DIP)

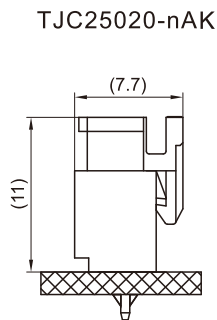


线数 Poles	型号 Type		尺寸 Dimensions(mm)	
	(V, DIP, W/Kink)	(H, DIP)	A	B
2	TJC25020-2AK	TJC25020-2AW	2.5	7.8
3	TJC25020-3AK	TJC25020-3AW	5.0	10.3
4	TJC25020-4AK	TJC25020-4AW	7.5	12.8
5	TJC25020-5AK	TJC25020-5AW	10.0	15.3
6	TJC25020-6AK	TJC25020-6AW	12.5	17.8
7	TJC25020-7AK	TJC25020-7AW	15.0	20.3
8	TJC25020-8AK	TJC25020-8AW	17.5	22.8
9	TJC25020-9AK	TJC25020-9AW	20.0	25.3
10	TJC25020-10AK	TJC25020-10AW	22.5	27.8
11	TJC25020-11AK	TJC25020-11AW	25.0	30.3
12	TJC25020-12AK	TJC25020-12AW	27.5	32.8
材质 · 表面处理 Material and Finish				
PA66 UL94V-0; 黄铜镀锡 Brass Tin · Plated				

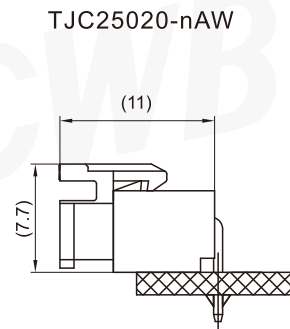
### 安装尺寸 Mounting Measurement



PCB Layout



Assembly View (DIM FYI)



CWB