
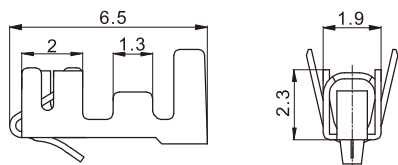


技术参数 (Specifications)

温度范围 (Temperature range) : -25℃ ~ 85℃
 额定电压 (Voltage rating) : 250V AC/DC
 额定电流 (Current rating) : 3A
 接触电阻 (Contact resistance) : ≤10mΩ
 绝缘电阻 (Insulation resistance) : ≥1000MΩ
 耐压 (Withstand voltage) : 1000V AC/minute
 对配插簧 (Matched Contact) : CH-TJC3、CH-TJC3-1、
 CH-TJC3-2、CH-TJC3B

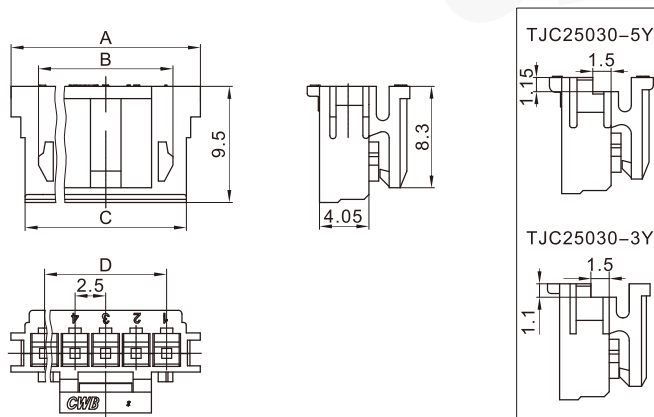
认证 (Standards) :  E200881

插簧 Contact



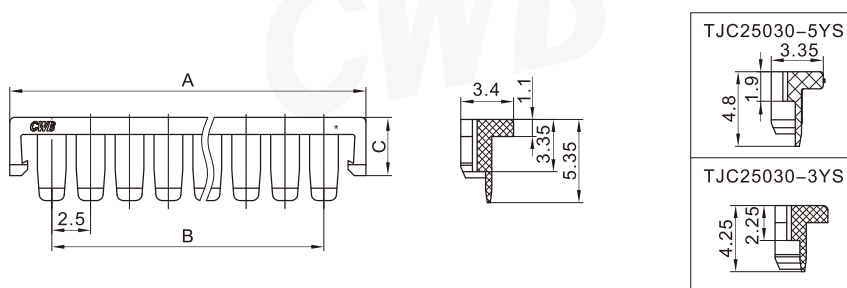
型号 Type	适用导线范围 Wire Range		导线外径 Wire ins.Dis	备注 Remark
	mm ²	AWG#		
CH-TJC3	0.22 ~ 0.33	24 ~ 22	1.4 ~ 1.6	料带宽度3.0mm
CH-TJC3B	0.22 ~ 0.33	24 ~ 22	1.4 ~ 1.6	料带宽度2.5mm
CH-TJC3-1	0.13	26	1.3	料带宽度3.0mm
CH-TJC3-2	0.08	28	1.2	料带宽度3.0mm
材质 · 表面处理 Material and Finish				
磷青铜 镀锡 Phos · bronze Tin · Plated				

孔座 (含锁紧片保持结构) Housing (W/Retainer)

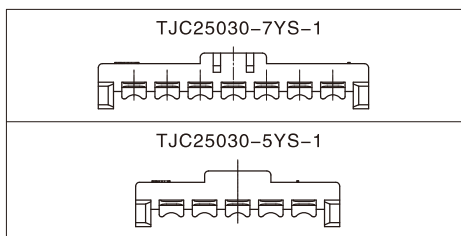
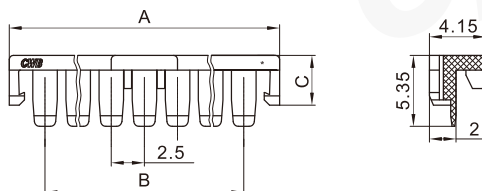


线数 Poles	型号 Type	尺寸 Dimensions (mm)			
		A	B	C	D
3	TJC25030-3Y	10.4	6.1	8.2	5.0
4	TJC25030-4Y	13.0	8.5	10.7	7.5
5	TJC25030-5Y	15.5	10.8	13.2	10.0
6	TJC25030-6Y	18.0	13.5	15.7	12.5
7	TJC25030-7Y	20.5	16.0	18.2	15.0
8	TJC25030-8Y	23.0	18.5	20.7	17.5
材质 Material		PA66 UL94V-0			

锁紧片 Retainer



线数 Poles	型号 Type	尺寸 Dimensions (mm)		
		A	B	C
3	TJC25030-3YS	10.4	5.0	4.1
4	TJC25030-4YS	12.9	7.5	3.75
5	TJC25030-5YS	15.4	10.0	4.0
6	TJC25030-6YS	17.9	12.5	3.75
7	TJC25030-7YS	20.4	15.0	3.75
8	TJC25030-8YS	22.9	17.5	3.75
材质 Material		PA66 UL94V-0		



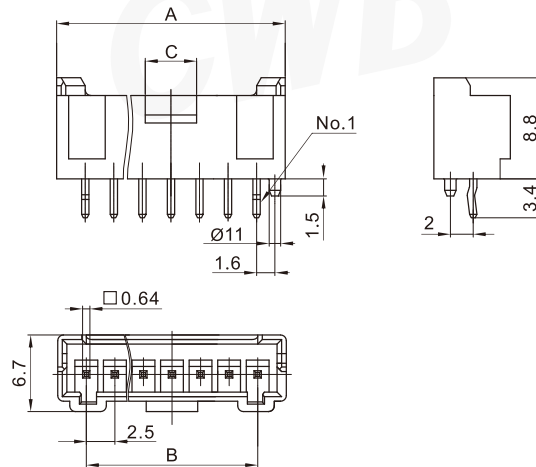
线数 Poles	型号 Type	尺寸 Dimensions (mm)		
		A	B	C
5	TJC25030-5YS-1	15.4	10.0	4.1
7	TJC25030-7YS-1	20.4	15.0	3.75
材质 Material		PA66 UL94V-0		

TJC25030 型条形连接器

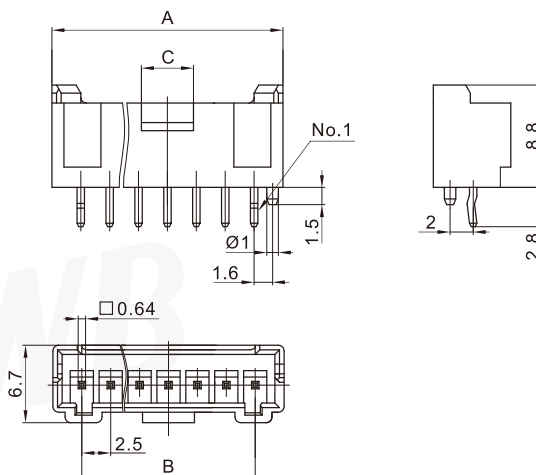
TJC25030 Bar Connector

间距 (space) :2.5mm

阳连接器 (立式, 直插, 含定位柱, 含小弯) Header (V, DIP, W/Boss, W/Kink)

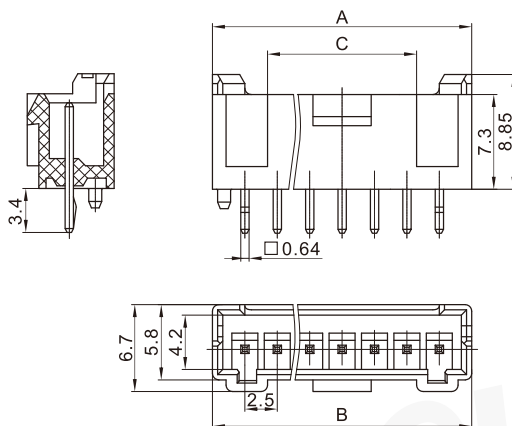


线数 Poles	型号 Type	尺寸 Dimensions (mm)		
		A	B	C
3	TJC25030-3ADK	10.0	5.0	2.1
4	TJC25030-4ADK	12.5	7.5	3.0
5	TJC25030-5ADK	15.0	10.0	4.5
6	TJC25030-6ADK	17.5	12.5	4.5
7	TJC25030-7ADK	20.0	15.0	4.5
8	TJC25030-8ADK	22.5	17.5	4.5
9	TJC25030-9ADK	25.0	20.0	4.5
10	TJC25030-10ADK	27.5	22.5	4.5
11	TJC25030-11ADK	30.0	25.0	4.5
12	TJC25030-12ADK	32.5	27.5	4.5
材质 · 表面处理 Material and Finish				
PA66 UL94V-0; 黄铜 镀锡 Brass Tin · Plated				



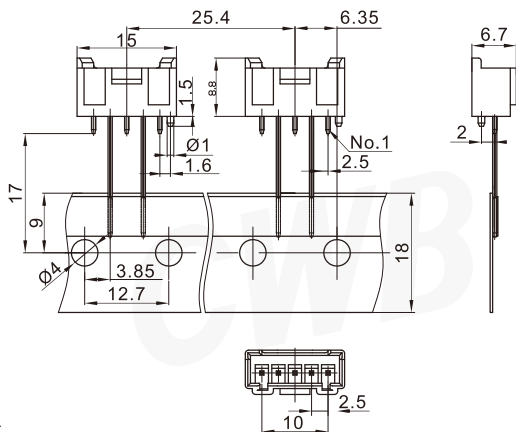
线数 Poles	型号 Type	尺寸 Dimensions (mm)		
		A	B	C
6	TJC25030-6ADK2.8	17.5	12.5	4.5
8	TJC25030-8ADK2.8	22.5	17.5	4.5
材质 · 表面处理 Material and Finish				
PA66 UL94V-0; 黄铜 镀锡 Brass Tin · Plated				

阳连接器 (立式, 直插, 含定位柱, 含小弯) Header (V, DIP, W/Boss, W/Kink)



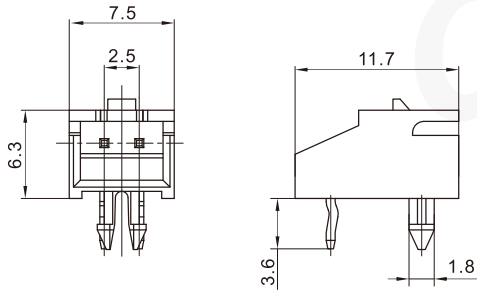
线数 Poles	型号 Type	尺寸 Dimensions (mm)		
		A	B	C
6	TJC25030-6AD1K	17.5	12.5	9.0
7	TJC25030-7AD1K	20.0	15.0	11.5
8	TJC25030-8AD1K	22.5	17.5	14.0
材质 · 表面处理 Material and Finish				
PA66 UL94V-0; 黄铜 镀锡 Brass Tin · Plated				

阳连接器 (立式, 直插) Header (V, DIP)



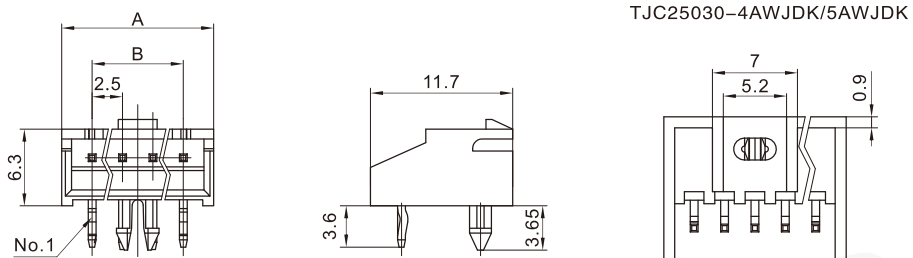
线数 Poles	型号 Type
5	TJC25030-5ADT
材质 · 表面处理 Material and Finish	
PA66 UL94V-0; 黄铜 镀锡 Brass Tin · Plated	

阳连接器 (卧式, 直插, 带挡板, 含定位柱, 含小弯) Header (H, DIP, W/PCB stabilizer,W/Boss, W/Kink)



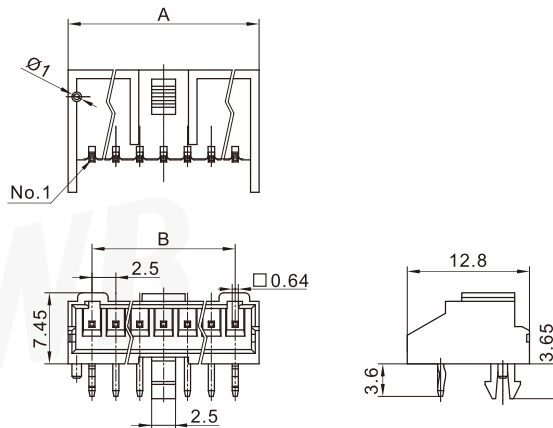
线数 Poles	型号 Type
2	TJC25030-2AWJDK
材质·表面处理 Material and Finish	
PA66 UL94V-0; 黄铜 镀锡 Brass Tin·Plated	

阳连接器 (卧式, 直插, 带挡板, 含定位柱, 含小弯) Header (H, DIP, W/PCB stabilizer,W/Boss, W/Kink)



线数 Poles	型号 Type	尺寸 Dimensions (mm)	
		A	B
3	TJC25030-3AWJDK	10.0	5.0
4	TJC25030-4AWJDK	12.5	7.5
5	TJC25030-5AWJDK	15.0	10.0
材质·表面处理 Material and Finish			
PA66 UL94V-0; 黄铜 镀锡 Brass Tin·Plated			

阳连接器 (卧式, 直插, 带挡板, 含定位柱, 含小弯) Header (H, DIP, W/PCB stabilizer,W/Boss, W/Kink)



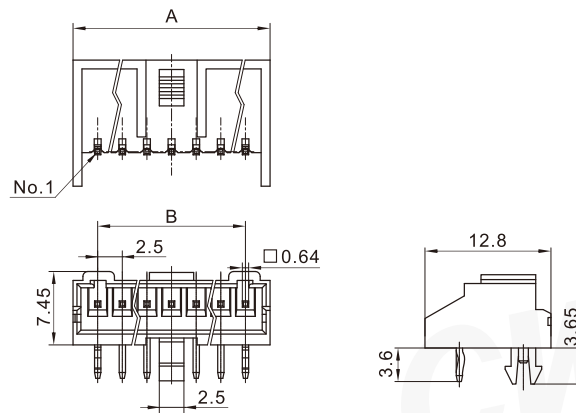
TJC25030 型条形连接器

TJC25030 Bar Connector

间距 (space) :2.5mm

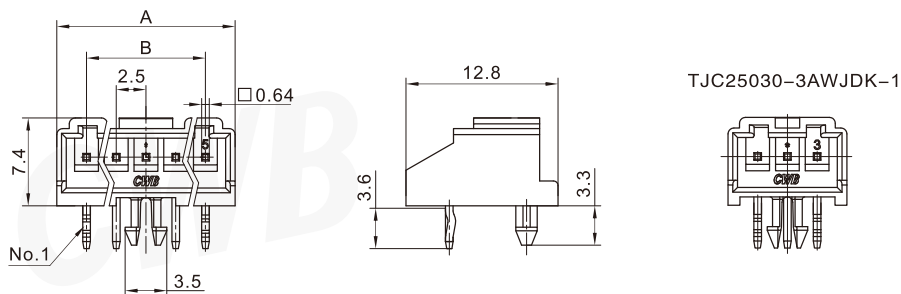
线数 Poles	型号 Type	尺寸 Dimensions (mm)	
		A	B
7	TJC25030-7AWJDK	20.0	15.0
9	TJC25030-9AWJDK	25.0	20.0
10	TJC25030-10AWJDK	27.5	22.5
11	TJC25030-11AWJDK	30.0	25.0
材质 · 表面处理 Material and Finish			
PA66 UL94V-0; 黄铜 镀锡 Brass Tin · Plated			

阳连接器 (卧式, 直插, 带挡板, 含定位柱, 含小弯) Header (H, DIP, W/PCB stabilizer,W/Boss, W/Kink)



线数 Poles	型号 Type	尺寸 Dimensions (mm)	
		A	B
6	TJC25030-6AWJDK	17.5	12.5
8	TJC25030-8AWJDK	22.5	17.5
材质 · 表面处理 Material and Finish			
PA66 UL94V-0; 黄铜 镀锡 Brass Tin · Plated			

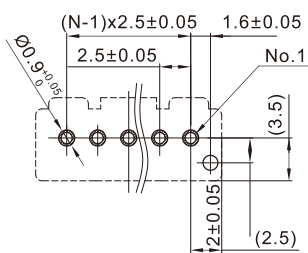
阳连接器 (卧式, 直插, 带挡板, 含定位柱, 含小弯) Header (H, DIP, W/PCB stabilizer,W/Boss, W/Kink)



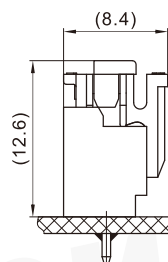
线数 Poles	型号 Type	尺寸 Dimensions (mm)	
		A	B
3	TJC25030-3AWJDK-1	10.0	5.0
5	TJC25030-5AWJDK-1	15.0	10.0
6	TJC25030-6AWJDK-1	17.5	12.5
7	TJC25030-7AWJDK-1	20.0	15.0
8	TJC25030-8AWJDK-1	22.5	17.5
11	TJC25030-11AWJDK-1	30.0	25.0
材质 · 表面处理 Material and Finish			
PA66 UL94V-0; 黄铜 镀锡 Brass Tin · Plated			

安装尺寸 Mounting Measurement

TJC25030-nADK

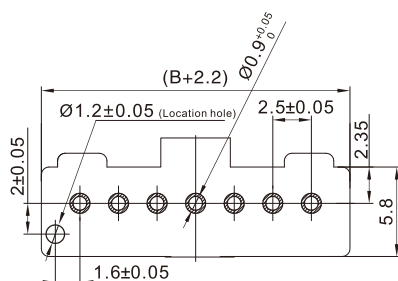


PCB Layout

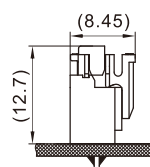


Assembly View (DIM FYI)

TJC25030-nAD1K

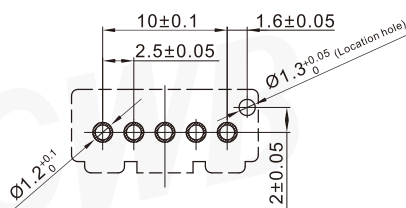


PCB Layout

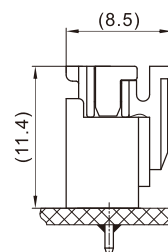


Assembly View (DIM FYI)

TJC25030-5ADT

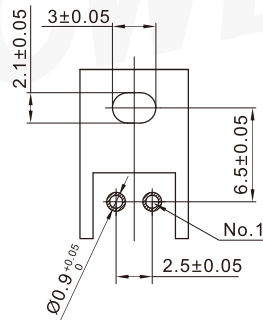


PCB Layout



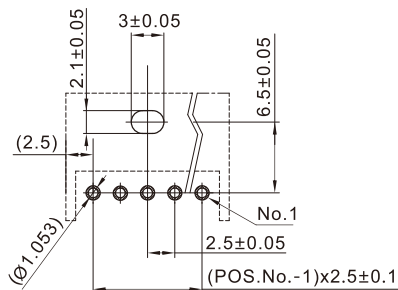
Assembly View (DIM FYI)

TJC25030-2AWJDK



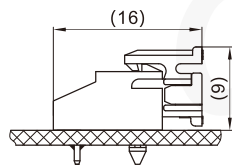
PCB Layout

TJC25030-nAWJDK (n=3, 4, 5)

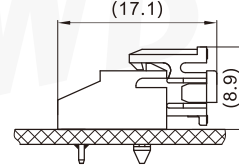


PCB Layout

TJC25030-3AWJDK/5AWJDK

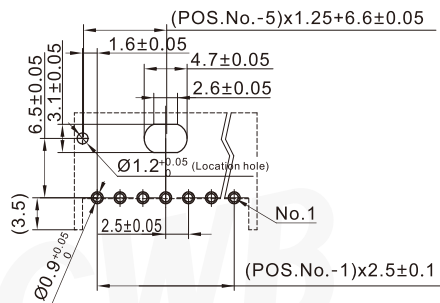


TJC25030-4AWJDK

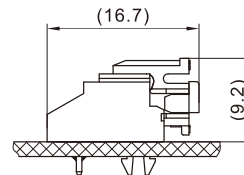


Assembly View (DIM FYI)

TJC25030-nAWJDK (n=7, 9, 10, 11)

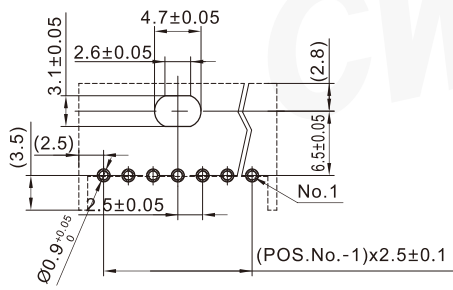


PCB Layout

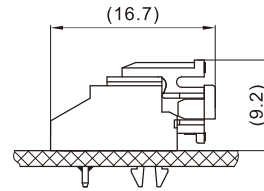


Assembly View (DIM FYI)

TJC25030-nAWJDK (n=6、8)

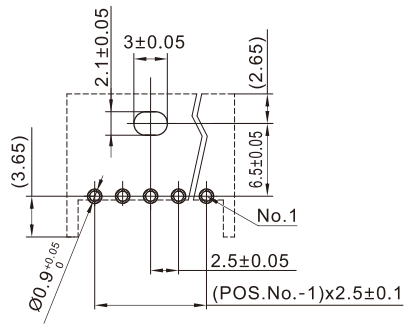


PCB Layout

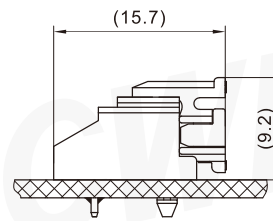


Assembly View (DIM FYI)

TJC25030-nAWJDK-1



PCB Layout



Assembly View (DIM FYI)