
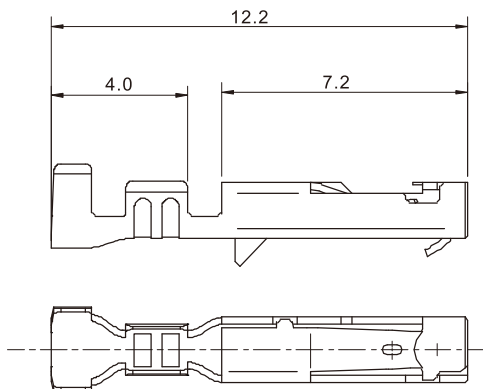




技术参数 (Specifications)

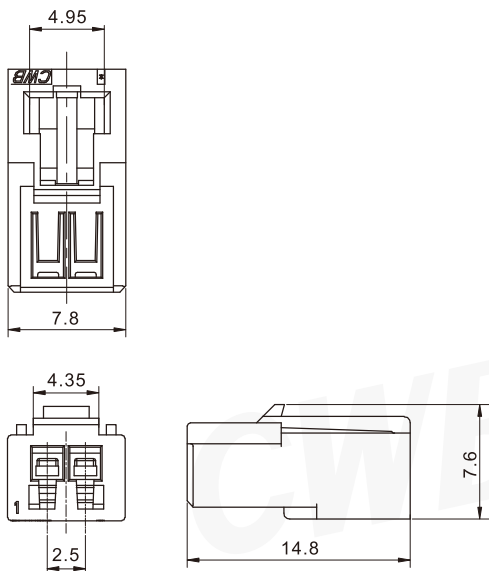
适用线规 (Applicable wires) : AWG#28~AWG#22
 温度范围 (Temperature range) : -25℃~85℃
 额定电压 (Voltage rating) : 250V AC/DC
 额定电流 (Current rating) : 3A
 接触电阻 (Contact resistance) : ≤20mΩ
 绝缘电阻 (Insulation resistance) : ≥1000MΩ
 耐压 (Withstand voltage) : 1000V AC/minute
 认证 (Standards) :  E200881

插簧 Contact



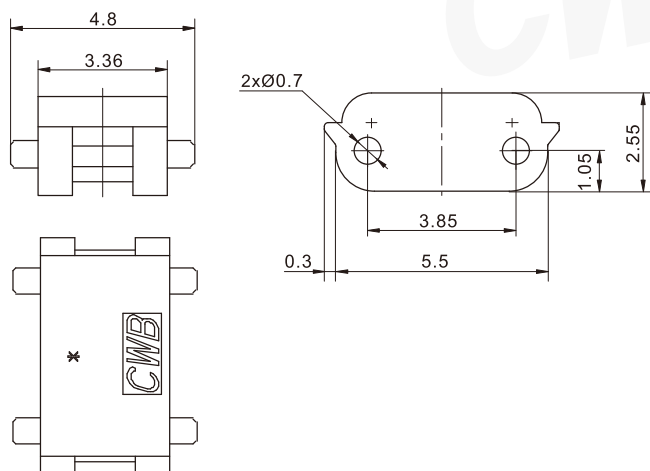
型号 Type	适用导线范围 Wire Range		导线外径 Wireins.Dis
	mm ²	AWG#	
CH-TJC25035	0.08~0.33	28~22	1.2~1.6
材质·表面处理 Material and Finish			
磷青铜 镀锡 Phos·bronze Tin·Plated			

孔座 Housing



线数 Poles	型号 Type
2	TJC25035-2Y
材质 Material PA66 UL94V-0	

锁紧片 Retainer



线数 Poles	型号 Type
2	TJC25035-2YS
材质 Material	PBT UL94V-0

CWB