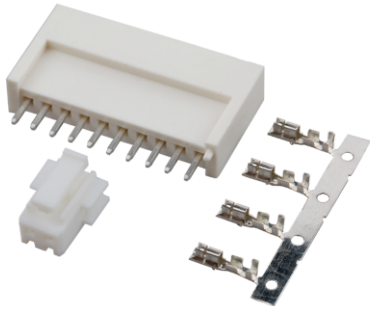


TJC25041 型条形连接器

TJC25041 Bar Connector

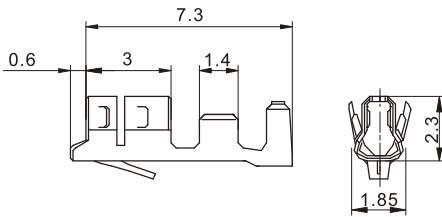
间距 (space) :2.5mm



技术参数 (Specifications)

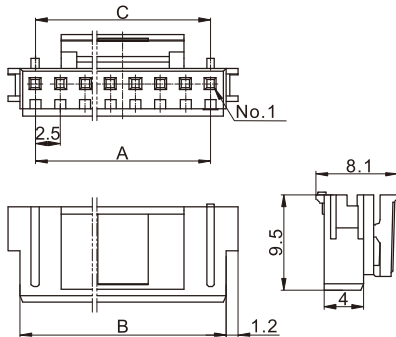
适用线规 (Applicable wires) : AWG#28~AWG#22
 适应基板厚度 (Applicable PC board thickness) : 1.6 mm
 温度范围 (Temperature range) : -25℃~85℃
 额定电压 (Voltage rating) : 250V AC/DC
 额定电流 (Current rating) : 3A
 接触电阻 (Contact resistance) : ≤10mΩ
 绝缘电阻 (Insulation resistance) : ≥1000MΩ
 耐压 (Withstand voltage) : 1000V AC/minute

插簧 Contact



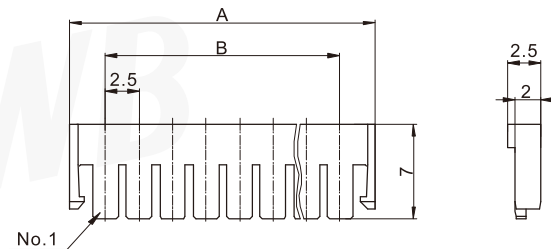
型号 Type	适用导线范围 Wire Range		导线外径 Wire ins.Dis
	mm ²	AWG#	
CH-TJC25041	0.08 ~ 0.33	28 ~ 22	1.15 ~ 1.8
材质·表面处理 Material and Finish			
磷青铜 镀锡 Phos·bronze Tin·Plated			

孔座 Housing



线数 Poles	型号 Type	尺寸 Dimensions (mm)		
		A	B	C
2	TJC25041-2Y	2.5	5.6	4.3
3	TJC25041-3Y	5.0	8.1	5.0
4	TJC25041-4Y	7.5	10.6	7.5
5	TJC25041-5Y	10.0	13.1	10.0
6	TJC25041-6Y	12.5	15.6	12.5
7	TJC25041-7Y	15.0	18.1	15.0
8	TJC25041-8Y	17.5	20.6	17.5
9	TJC25041-9Y	20.0	23.1	20.0
10	TJC25041-10Y	22.5	25.6	22.5
12	TJC25041-12Y	27.5	30.6	27.5
14	TJC25041-14Y	32.5	35.6	32.5
材质 Material		PA66 UL94V-0		

锁紧片 Retainer



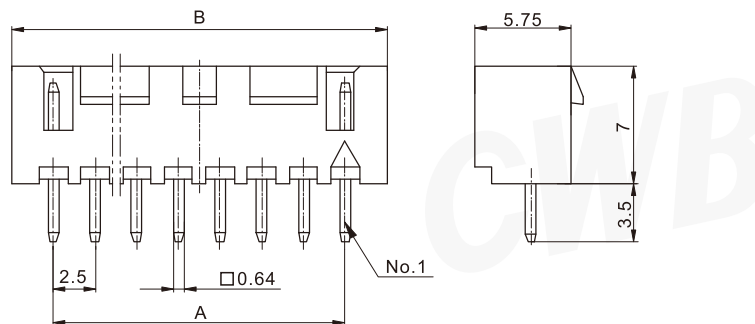
TJC25041 型条形连接器

TJC25041 Bar Connector

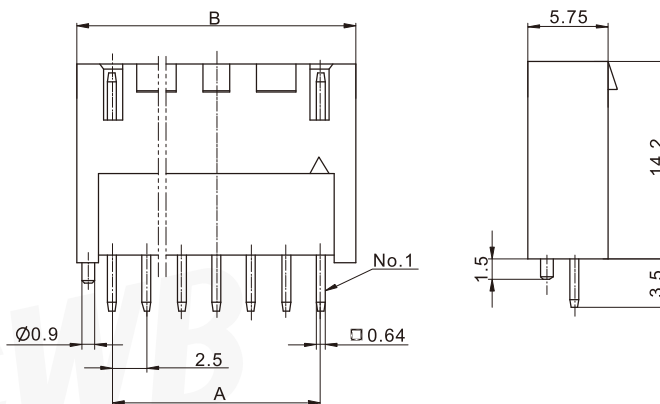
间距 (space) :2.5mm

线数 Poles	型号 Type	尺寸 Dimensions (mm)	
		A	B
2	TJC25041-2YS	7.8	2.5
3	TJC25041-3YS	10.3	5.0
4	TJC25041-4YS	12.8	7.5
5	TJC25041-5YS	15.3	10.0
6	TJC25041-6YS	17.8	12.5
7	TJC25041-7YS	20.3	15.0
8	TJC25041-8YS	22.8	17.5
9	TJC25041-9YS	25.3	20.0
10	TJC25041-10YS	27.8	22.5
12	TJC25041-12YS	32.8	27.5
14	TJC25041-14YS	37.8	32.5
材质 Material		PA66 UL94V-0	

阳连接器 (立式, 直插) Header (V, DIP)



阳连接器 (立式, 直插, 含定位柱) Header (V, DIP, W/Boss)



TJC25041 型条形连接器

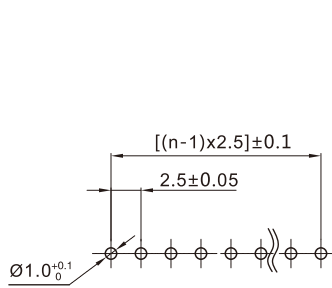
TJC25041 Bar Connector

间距 (space) :2.5mm

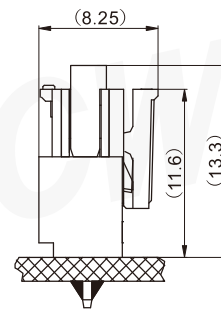
线数 Poles	型号 Type		尺寸 Dimensions (mm)	
	(V, DIP)	(V, DIP, W/Boss)	A	B
2	TJC25041-2A	TJC25041-2ADG	2.5	7.5
3	TJC25041-3A	TJC25041-3ADG	5	10
4	TJC25041-4A	TJC25041-4ADG	7.5	12.5
5	TJC25041-5A	TJC25041-5ADG	10	15
6	TJC25041-6A	TJC25041-6ADG	12.5	17.5
7	TJC25041-7A	TJC25041-7ADG	15	20
8	TJC25041-8A	TJC25041-8ADG	17.5	22.5
9	TJC25041-9A	TJC25041-9ADG	20	25
10	TJC25041-10A	TJC25041-10ADG	22.5	27.5
11	/	TJC25041-11ADG	25	30
12	TJC25041-12A	TJC25041-12ADG	27.5	32.5
14	TJC25041-14A	TJC25041-14ADG	32.5	37.5
材质 · 表面处理 Material and Finish				
PA66 UL94V-0; 黄铜 镀锡 Brass Tin · Plated				

安装尺寸 Mounting Measurement

TJC25041-nA

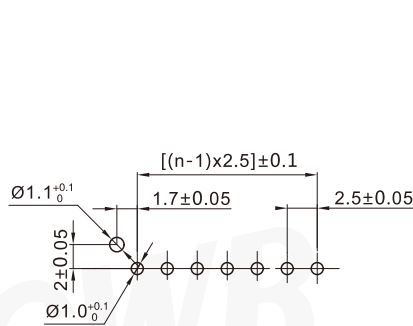


PCB Layout

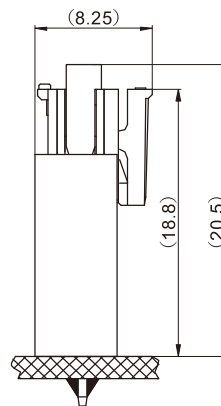


Assembly View (DIM FYI)

TJC25041-nAG



PCB Layout



Assembly View (DIM FYI)