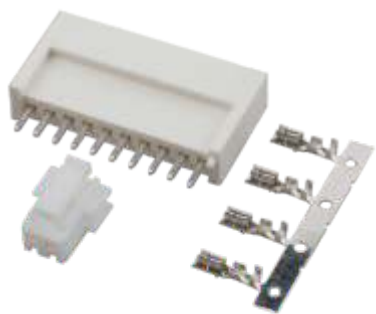


TJC25041 型条形连接器

TJC25041 Bar Connector

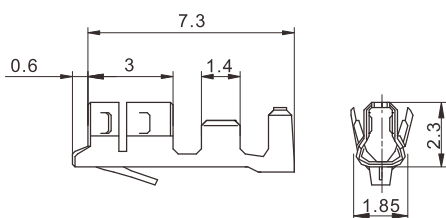
间距 (space) :2.5mm



技术参数 (SPECIFICATIONS)

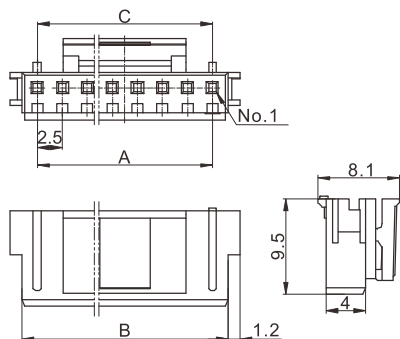
适用线规 (Applicable wires) : AWG#28~AWG#22
 适应基板厚度 (Applicable PC board thickness) : 1.6 mm
 温度范围 (Temperature range) : -25℃~85℃
 额定电压 (Voltage rating) : 250V AC/DC
 额定电流 (Current rating) : 3A
 接触电阻 (Contact resistance) : ≤0.01Ω
 绝缘电阻 (Insulation resistance) : ≥1000MΩ
 耐压 (Withstand voltage) : 1000V AC/minute

端子 TERMINAL



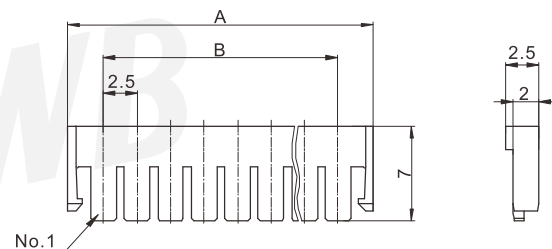
型号 Type	适用导线范围 Wire Range		导线外径 Wire ins.Dis
	mm ²	AWG#	
CH-TJC25041	0.08 ~ 0.33	28 ~ 22	1.15 ~ 1.8
材质 · 表面处理 Material and Finish			
磷青铜 镀锡 Phos · bronze Tin · Plated			

阴连接器 HOUSING



线数 Poles	型号 Type	尺寸 Dimensions (mm)		
		A	B	C
2	TJC25041-2Y	2.5	5.6	4.3
3	TJC25041-3Y	5.0	8.1	5.0
4	TJC25041-4Y	7.5	10.6	7.5
5	TJC25041-5Y	10.0	13.1	10.0
6	TJC25041-6Y	12.5	15.6	12.5
7	TJC25041-7Y	15.0	18.1	15.0
8	TJC25041-8Y	17.5	20.6	17.5
9	TJC25041-9Y	20.0	23.1	20.0
10	TJC25041-10Y	22.5	25.6	22.5
12	TJC25041-12Y	27.5	30.6	27.5
14	TJC25041-14Y	32.5	35.6	32.5
材质 · 表面处理 Material and Finish		PA66 UL94V-0		

锁紧片 LOCK PLATE



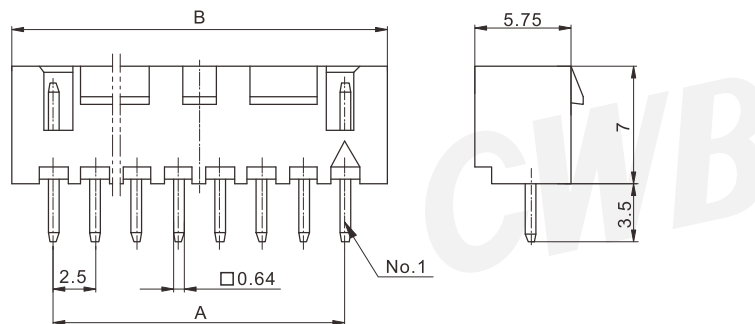
TJC25041 型条形连接器

TJC25041 Bar Connector

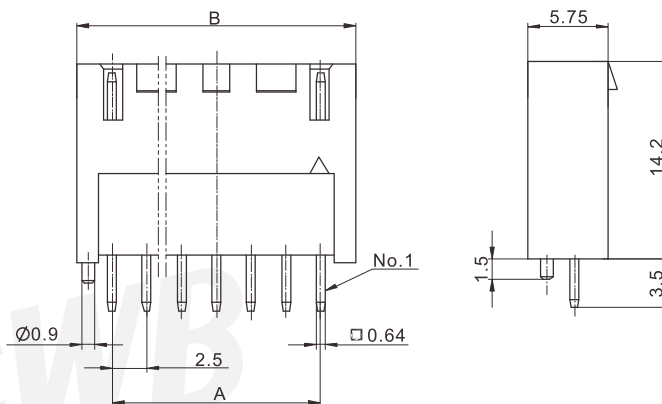
间距 (space) :2.5mm

线数 Poles	型号 Type	尺寸 Dimensions (mm)	
		A	B
2	TJC25041-2YS	2.5	7.8
3	TJC25041-3YS	5.0	10.3
4	TJC25041-4YS	7.5	12.8
5	TJC25041-5YS	10.0	15.3
6	TJC25041-6YS	12.5	17.8
7	TJC25041-7YS	15.0	20.3
8	TJC25041-8YS	17.5	22.8
9	TJC25041-9YS	20.0	25.3
10	TJC25041-10YS	22.5	27.8
12	TJC25041-12YS	27.5	32.8
14	TJC25041-14YS	32.5	37.8
材质 · 表面处理 Material and Finish		PA66 UL94V-0	

阳连接器 (直式) HEADER (180°)



阳连接器 (直式高脚) HEADER (180°)



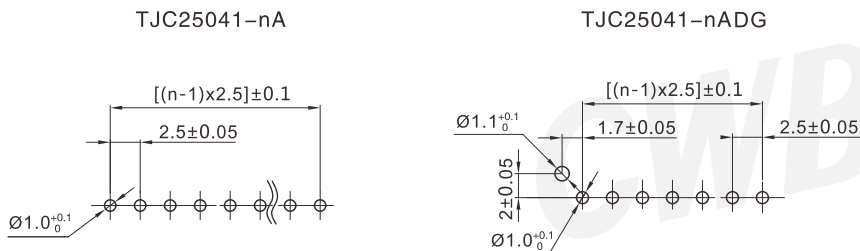
TJC25041 型条形连接器

TJC25041 Bar Connector

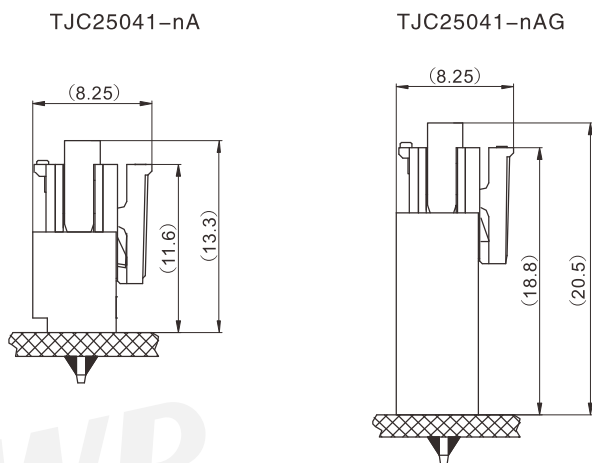
间距 (space) :2.5mm

线数 Poles	型号 Type		尺寸 Dimensions (mm)	
			A	B
2	TJC25041-2A	TJC25041-2ADG	2.5	7.5
3	TJC25041-3A	TJC25041-3ADG	5	10
4	TJC25041-4A	TJC25041-4ADG	7.5	12.5
5	TJC25041-5A	TJC25041-5ADG	10	15
6	TJC25041-6A	TJC25041-6ADG	12.5	17.5
7	TJC25041-7A	TJC25041-7ADG	15	20
8	TJC25041-8A	TJC25041-8ADG	17.5	22.5
9	TJC25041-9A	TJC25041-9ADG	20	25
10	TJC25041-10A	TJC25041-10ADG	22.5	27.5
11	/	TJC25041-11ADG	25	30
12	TJC25041-12A	TJC25041-12ADG	27.5	32.5
14	TJC25041-14A	TJC25041-14ADG	32.5	37.5
材质 · 表面处理 Material and Finish		PA66 UL94V-0; 黄铜 镀锡 Brass Tin · Plated		

安装尺寸 MOUNTING MEASUREMENT



PCB Layout



Assembly View (DIM FYI)