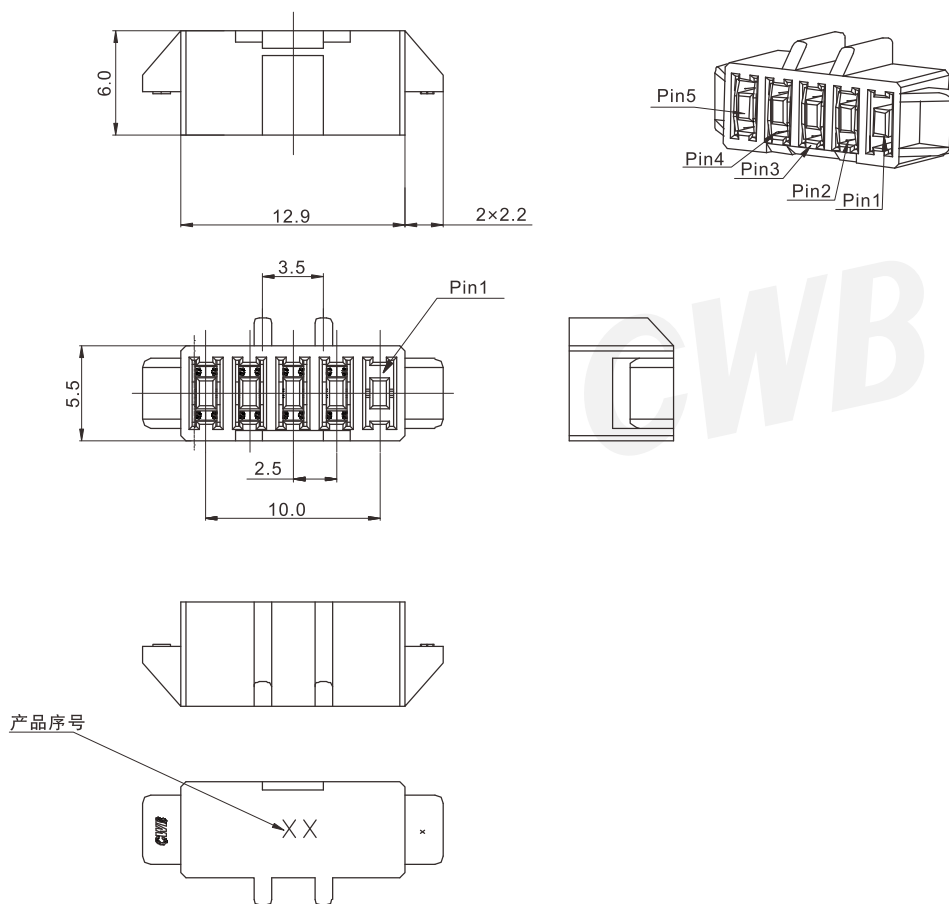




技术参数 (SPECIFICATIONS)

- 适应基板厚度 (Applicable PC board thickness) : 1.6 mm
- 温度范围 (Temperature range) : -25°C~85°C
- 额定电压 (Voltage rating) : 250V AC/DC
- 额定电流 (Current rating) : 3A
- 接触电阻 (Contact resistance) : $\leq 0.02\Omega$
- 绝缘电阻 (Insulation resistance) : $\geq 500M\Omega$
- 耐压 (Withstand voltage) : 800V AC/minute

阴连接器 HOUSING



线数 Poles	型号 Type	Pin 5	Pin 4	Pin 3	Pin 2	Pin 1	插簧数量	1表示该孔装配插簧,0表示不装配插簧
2 × 5Y	TJC25046-2 × 5Y-01 (BL)	0	0	0	0	1	2	
2 × 5Y	TJC25046-2 × 5Y-02 (BL)	0	0	0	1	0	2	
2 × 5Y	TJC25046-2 × 5Y-03 (BL)	0	0	0	1	1	4	
2 × 5Y	TJC25046-2 × 5Y-04 (BL)	0	0	1	0	0	2	
2 × 5Y	TJC25046-2 × 5Y-05 (BL)	0	0	1	0	1	4	
2 × 5Y	TJC25046-2 × 5Y-06 (BL)	0	0	1	1	0	4	
2 × 5Y	TJC25046-2 × 5Y-07 (BL)	0	0	1	1	1	6	
2 × 5Y	TJC25046-2 × 5Y-08 (BL)	0	1	0	0	0	2	
2 × 5Y	TJC25046-2 × 5Y-09 (BL)	0	1	0	0	1	4	
2 × 5Y	TJC25046-2 × 5Y-10 (BL)	0	1	0	1	0	4	

TJC25046 条形连接器

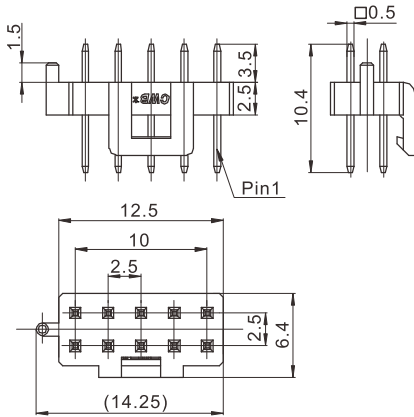
TJC25046 Connector

间距 (space) :2.5mm

线数 Poles	型号 Type	Pin 5	Pin 4	Pin 3	Pin 2	Pin 1	插簧数量	1表示该孔装配插簧, 0表示不装配插簧
2×5Y	TJC25046-2×5Y-11(BL)	0	1	0	1	1	6	
2×5Y	TJC25046-2×5Y-12(BL)	0	1	1	0	0	4	
2×5Y	TJC25046-2×5Y-13(BL)	0	1	1	0	1	6	
2×5Y	TJC25046-2×5Y-14(BL)	0	1	1	1	0	6	
2×5Y	TJC25046-2×5Y-15(BL)	0	1	1	1	1	8	
2×5Y	TJC25046-2×5Y-16(BL)	1	0	0	0	0	2	
2×5Y	TJC25046-2×5Y-17(BL)	1	0	0	0	1	4	
2×5Y	TJC25046-2×5Y-18(BL)	1	0	0	1	0	4	
2×5Y	TJC25046-2×5Y-19(BL)	1	0	0	1	1	6	
2×5Y	TJC25046-2×5Y-20(BL)	1	0	1	0	0	4	
2×5Y	TJC25046-2×5Y-21(BL)	1	0	1	0	1	6	
2×5Y	TJC25046-2×5Y-22(BL)	1	0	1	1	0	6	
2×5Y	TJC25046-2×5Y-23(BL)	1	0	1	1	1	8	
2×5Y	TJC25046-2×5Y-24(BL)	1	1	0	0	0	4	
2×5Y	TJC25046-2×5Y-25(BL)	1	1	0	0	1	6	
2×5Y	TJC25046-2×5Y-26(BL)	1	1	0	1	0	6	
2×5Y	TJC25046-2×5Y-27(BL)	1	1	0	1	1	8	
2×5Y	TJC25046-2×5Y-28(BL)	1	1	1	0	0	6	
2×5Y	TJC25046-2×5Y-29(BL)	1	1	1	0	1	8	
2×5Y	TJC25046-2×5Y-30(BL)	1	1	1	1	0	8	

材质·表面处理 Material and Finish PA66 UL94V-0
磷青铜 局部镀金 Phos·bronze Ni under plated over all and Au plated on the contact area

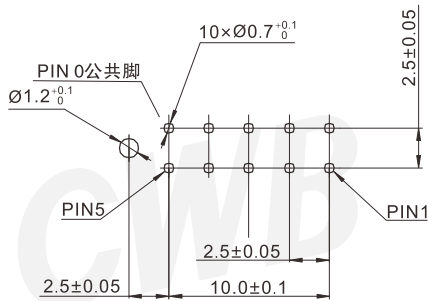
阳连接器 HEADER



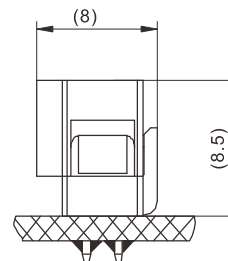
线数 Poles	型号 Type
2×5A	TJC25046-2×5AD

材质·表面处理 Material and Finish PA66 UL94V-0
黄铜 镀金 Brass Au·Plated

安装尺寸 MOUNTING MEASUREMENT



PCB Layout



Assembly View (DIM FYI)