


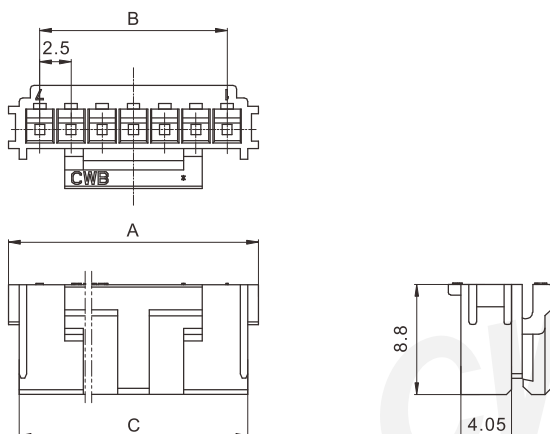
技术参数 (SPECIFICATIONS)



适用线规 (Applicable wires) : AWG#26~AWG#22
 适应基板厚度 (Applicable PC board thickness) : 1.6 mm
 温度范围 (Temperature range) : -25°C~85°C
 额定电压 (Voltage rating) : 250V AC/DC
 额定电流 (Current rating) : 3A
 接触电阻 (Contact resistance) : $\leq 0.01 \Omega$
 绝缘电阻 (Insulation resistance) : $\geq 1000M\Omega$
 耐压 (Withstand voltage) : 1000V AC/minute
 对配插簧 (Matched Terminal) : TJC3 Terminal

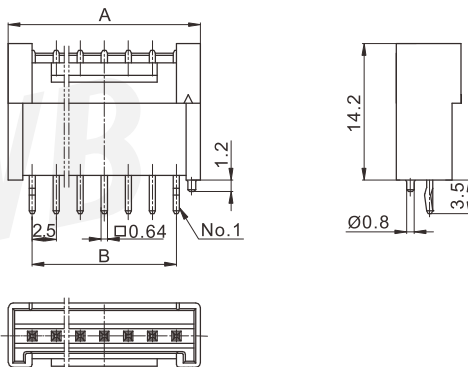
认证 (STANDARDS) :  E200881

阴连接器 HOUSING



| 线数 Poles | 型号 Type | 尺寸 Dimensions (mm) | | |
|-------------------------------|--------------|----------------------|------|------|
| | | A | B | C |
| 2 | TJC25057-2Y | 7.5 | 2.5 | 5.8 |
| 3 | TJC25057-3Y | 10 | 5 | 8.3 |
| 4 | TJC25057-4Y | 12.5 | 7.5 | 10.8 |
| 5 | TJC25057-5Y | 15 | 10 | 13.3 |
| 6 | TJC25057-6Y | 17.5 | 12.5 | 15.8 |
| 7 | TJC25057-7Y | 20 | 15 | 18.3 |
| 8 | TJC25057-8Y | 22.5 | 17.5 | 20.8 |
| 9 | TJC25057-9Y | 25 | 20 | 23.3 |
| 10 | TJC25057-10Y | 27.5 | 22.5 | 25.8 |
| 12 | TJC25057-12Y | 32.5 | 27.5 | 30.8 |
| 材质 · 表面处理 Material and Finish | | PA66 UL94V-0 | | |

阳连接器 (直式) HEADER (180°)



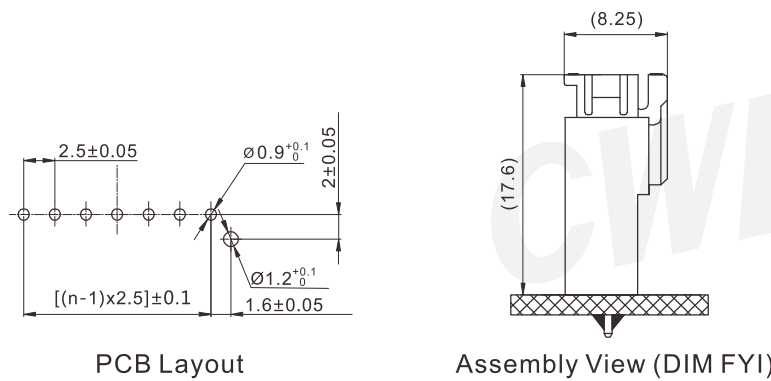
TJC25057 型条形连接器

TJC25057 Bar Connector

间距 (space) :2.5mm

| 线数 Poles | 型号 Type | 尺寸Dimensions (mm) | |
|--|-----------------|---------------------|------|
| | | A | B |
| 2 | TJC25057-2ADGK | 2.5 | 7.5 |
| 3 | TJC25057-3ADGK | 5 | 10 |
| 4 | TJC25057-4ADGK | 7.5 | 12.5 |
| 5 | TJC25057-5ADGK | 10 | 15 |
| 6 | TJC25057-6ADGK | 12.5 | 17.5 |
| 7 | TJC25057-7ADGK | 15 | 20 |
| 8 | TJC25057-8ADGK | 17.5 | 22.5 |
| 9 | TJC25057-9ADGK | 20 | 25 |
| 10 | TJC25057-10ADGK | 22.5 | 27.5 |
| 12 | TJC25057-12ADGK | 27.5 | 32.5 |
| 材质 · 表面处理 Material and Finish | | | |
| PA66 UL94V-0; 黄铜 镀锡 Brass Tin · Plated | | | |

安装尺寸 MOUNTING MEASUREMENT



CWB