
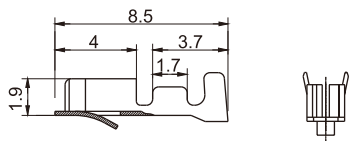


技术参数 (Specifications)

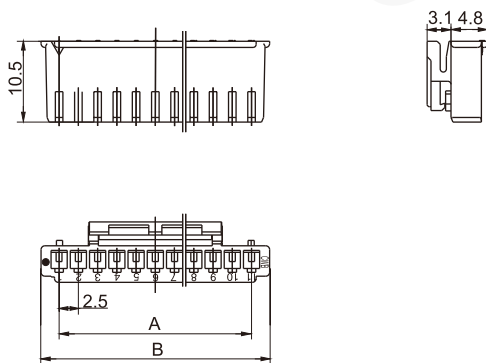
- 适用线规 (Applicable wires) : AWG#28~AWG#22
- 适应基板厚度 (Applicable PC board thickness) : 1.2~1.6mm
- 温度范围 (Temperature range) : -25°C~85°C
- 额定电压 (Voltage rating) : 250V AC/DC
- 额定电流 (Current rating) : 3A
- 接触电阻 (Contact resistance) : $\leq 10m\Omega$
- 绝缘电阻 (Insulation resistance) : $\geq 1000M\Omega$
- 耐压 (Withstand voltage) : 1000V AC/minute
- 认证 (Standards) :  E200881

插簧 Contact



型号 Type	适用导线范围 Wire Range		导线外径 Wire ins.Dis
	mm ²	AWG#	
CH-TJC2508	0.08~0.33	28~22	1.2~1.9
材质·表面处理 Material and Finish			
磷青铜 镀锡 Phos·bronze Tin·Plated			

孔座 Housing



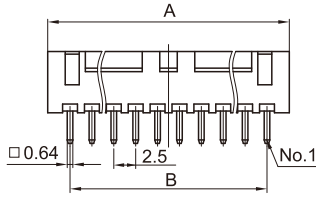
线数 Poles	型号 Type	尺寸Dimensions(mm)		线数 Poles	型号 Type	尺寸Dimensions(mm)	
		A	B			A	B
2	TJC2508-2Y	2.5	7.3	9	TJC2508-9Y	20.0	24.8
3	TJC2508-3Y	5.0	9.8	10	TJC2508-10Y	22.5	27.3
4	TJC2508-4Y	7.5	12.3	11	TJC2508-11Y	25.0	29.8
5	TJC2508-5Y	10.0	14.8	12	TJC2508-12Y	27.5	32.3
6	TJC2508-6Y	12.5	17.3	13	TJC2508-13Y	30.0	34.8
7	TJC2508-7Y	15.0	20.8	14	TJC2508-14Y	32.5	37.3
8	TJC2508-8Y	17.5	22.3	15	TJC2508-15Y	35.0	39.8
材质 Material		PA66 UL94V-0					

TJC2508 型条形连接器

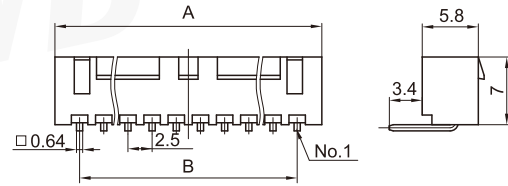
TJC2508 Bar Connector

间距 (space) :2.5mm

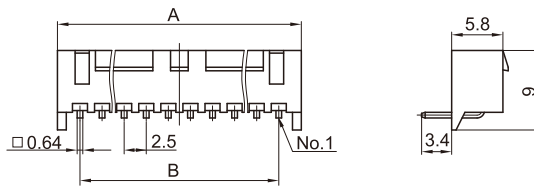
阳连接器 (立式, 直插) Header (V, DIP)



阳连接器 (卧式, 直插) Header (H, DIP)

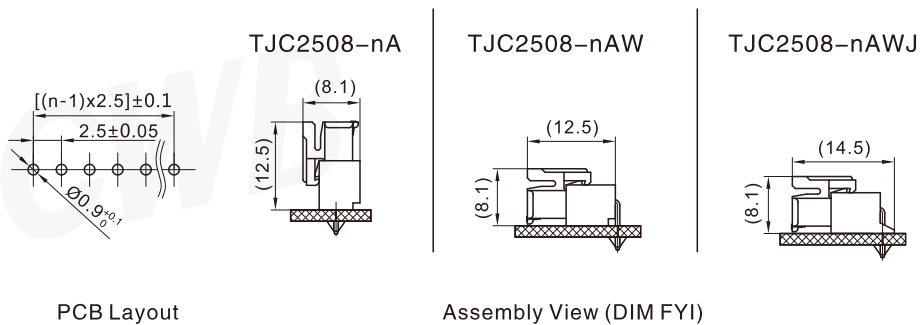


阳连接器 (卧式, 直插, 带挡板) Header (H, DIP, W/PCB stabilizer)



线数 Poles	型号 Type			尺寸Dimensions(mm)	
	(V, DIP)	(H, DIP)	(H, DIP, W/PCB stabilizer)	A	B
2	TJC2508-2A	TJC2508-2AW	TJC2508-2AWJ	7.5	2.5
3	TJC2508-3A	TJC2508-3AW	TJC2508-3AWJ	10.0	5.0
4	TJC2508-4A	TJC2508-4AW	TJC2508-4AWJ	12.5	7.5
5	TJC2508-5A	TJC2508-5AW	TJC2508-5AWJ	15.0	10.0
6	TJC2508-6A	TJC2508-6AW	TJC2508-6AWJ	17.5	12.5
7	TJC2508-7A	TJC2508-7AW	TJC2508-7AWJ	20.0	15.0
8	TJC2508-8A	TJC2508-8AW	TJC2508-8AWJ	22.5	17.5
9	TJC2508-9A	TJC2508-9AW	TJC2508-9AWJ	25.0	20.0
10	TJC2508-10A	TJC2508-10AW	TJC2508-10AWJ	27.5	22.5
11	TJC2508-11A	TJC2508-11AW	TJC2508-11AWJ	30.0	25.0
12	TJC2508-12A	TJC2508-12AW	TJC2508-12AWJ	32.5	27.5
13	TJC2508-13A	TJC2508-13AW	TJC2508-13AWJ	35.0	30.0
14	TJC2508-14A	TJC2508-14AW	TJC2508-14AWJ	37.5	32.5
15	TJC2508-15A	TJC2508-15AW	TJC2508-15AWJ	40.0	35.0
材质 · 表面处理 Material and Finish					
PA66 UL94V-0; 黄铜 镀锡 Brass Tin · Plated					

安装尺寸 Mounting Measurement



PCB Layout

Assembly View (DIM FYI)