
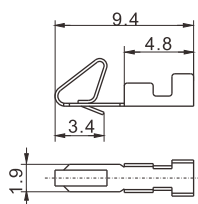




技术参数 ( SPECIFICATIONS )

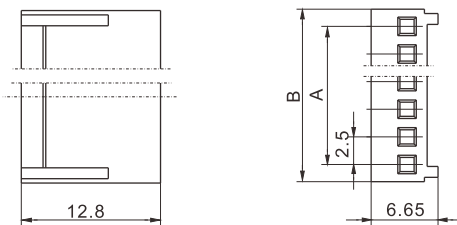
适用线规 ( Applicable wires ) : AWG#26~AWG#24  
 适应基板厚度 ( Applicable PC board thickness ) : 0.8 ~ 1.2 mm  
 温度范围 ( Temperature range ) : -25℃~85℃  
 额定电压 ( Voltage rating ) : 250V AC/DC  
 额定电流 ( Current rating ) : 3A  
 接触电阻 ( Contact resistance ) : ≤0.01Ω  
 绝缘电阻 ( Insulation resistance ) : ≥1000MΩ  
 耐压 ( Withstand voltage ) : 1000V AC/minute  
 认证 ( STANDARDS ) :  E200881

端子 TERMINAL



型号 Type	适用导线范围 Wire Range		导线外径 Wire ins.Dis
	mm <sup>2</sup>	AWG#	
CH-TJC2510	0.13~0.22	26~24	1.3~1.4
材质 · 表面处理 Material and Finish			
磷青铜 镀锡 Phos · bronze Tin · Plated			

阴连接器 HOUSING



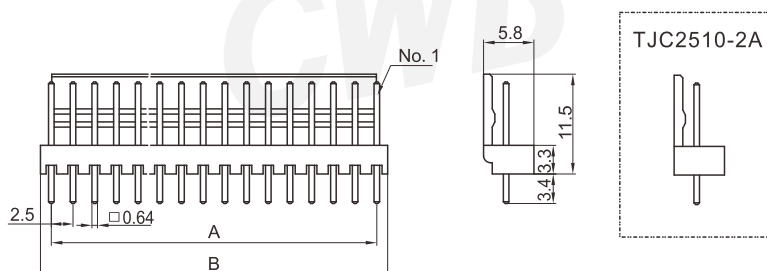
线数 Poles	型号 Type	尺寸Dimensions(mm)		线数 Poles	型号 Type	尺寸Dimensions(mm)	
		A	B			A	B
2	TJC2510-2Y	2.5	5.5	12	TJC2510-12Y	27.5	30.5
3	TJC2510-3Y	5.0	8.0	13	TJC2510-13Y	30.0	33.0
4	TJC2510-4Y	7.5	10.5	14	TJC2510-14Y	32.5	35.5
5	TJC2510-5Y	10.0	13.0	15	TJC2510-15Y	35.0	38.0
6	TJC2510-6Y	12.5	15.5	16	TJC2510-16Y	37.5	40.5
7	TJC2510-7Y	15.0	18.0	17	TJC2510-17Y	40.0	43.0
8	TJC2510-8Y	17.5	20.5	18	TJC2510-18Y	42.5	45.5
9	TJC2510-9Y	20.0	23.5	19	TJC2510-19Y	45.0	48.0
10	TJC2510-10Y	22.5	25.5	20	TJC2510-20Y	47.5	50.0
11	TJC2510-11Y	25.0	28.0				
材质 · 表面处理 Material and Finish						PA66 UL94V-0	

# TJC2510 型条形连接器

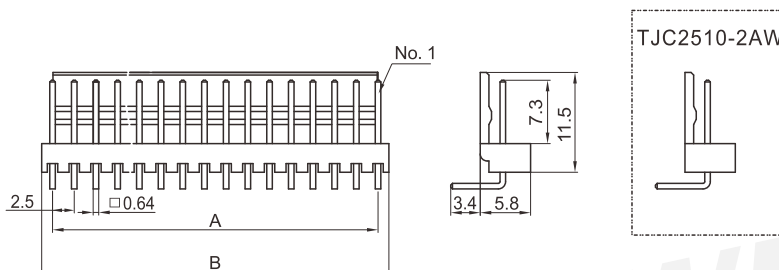
## TJC2510 Bar Connector

间距 ( space ) :2.5mm

### 阳连接器 ( 直式 ) HEADER ( 180° )



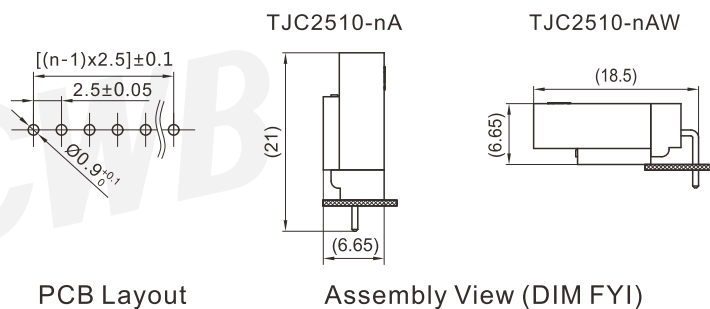
### 阳连接器 ( 弯式 ) HEADER ( 90° )



线数 Poles	型号 Type		尺寸Dimensions(mm)		线数 Poles	型号 Type		尺寸Dimensions(mm)	
	直式 ( 180° )	弯式 ( 90° )	A	B		直式 ( 180° )	弯式 ( 90° )	A	B
2	TJC2510-2A	TJC2510-2AW	2.5	5.0	12	TJC2510-12A	TJC2510-12AW	27.5	30.0
3	TJC2510-3A	TJC2510-3AW	5.0	7.5	13	TJC2510-13A	TJC2510-13AW	30.0	32.5
4	TJC2510-4A	TJC2510-4AW	7.5	10.0	14	TJC2510-14A	TJC2510-14AW	32.5	35.0
5	TJC2510-5A	TJC2510-5AW	10.0	12.5	15	TJC2510-15A	TJC2510-15AW	35.0	37.5
6	TJC2510-6A	TJC2510-6AW	12.5	15.0	16	TJC2510-16A	TJC2510-16AW	37.5	40.0
7	TJC2510-7A	TJC2510-7AW	15.0	17.5	17	TJC2510-17A	TJC2510-17AW	40.0	42.5
8	TJC2510-8A	TJC2510-8AW	17.5	20.0	18	TJC2510-18A	TJC2510-18AW	42.5	45.0
9	TJC2510-9A	TJC2510-9AW	20.0	22.5	19	TJC2510-19A	TJC2510-19AW	45.0	47.5
10	TJC2510-10A	TJC2510-10AW	22.5	25.0	20	TJC2510-20A	TJC2510-20AW	47.5	50.0
11	TJC2510-11A	TJC2510-11AW	25.0	27.5					

材质 · 表面处理 Material and Finish: PA66 UL94V-0; 黄铜 镀锡 Brass Tin · Plated

### 安装尺寸 MOUNTING MEASUREMENT



PCB Layout

Assembly View (DIM FYI)