
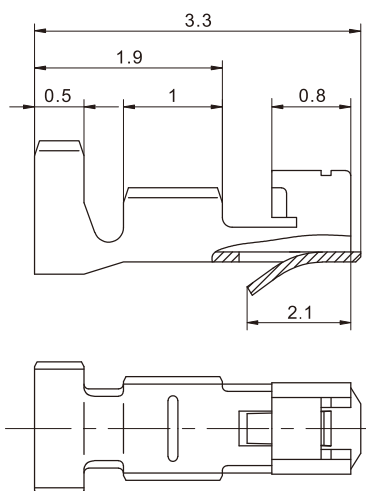


技术参数 (Specifications)

适用线规 (Applicable wires) : AWG#28~AWG#22
 适应基板厚度 (Applicable PC board thickness) : 1.2 ~ 1.6 mm
 温度范围 (Temperature range) : -25°C~85°C
 额定电压 (Voltage rating) : 250V AC/DC
 额定电流 (Current rating) : 3A
 接触电阻 (Contact resistance) : $\leq 10\text{m}\Omega$
 绝缘电阻 (Insulation resistance) : $\geq 1000\text{M}\Omega$
 耐压 (Withstand voltage) : 800V AC/minute

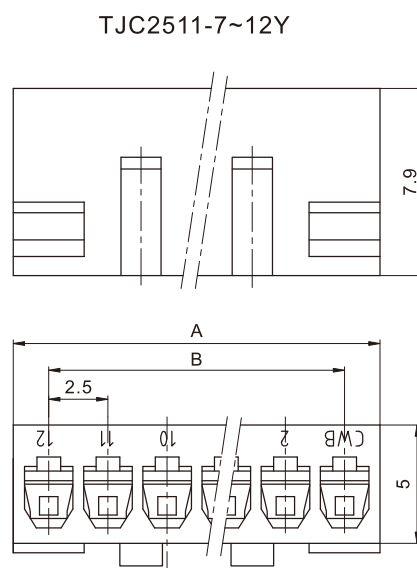
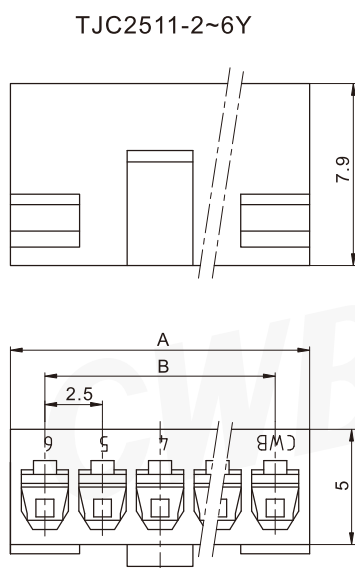
认证 (Standards) :  E200881

插簧 Contact

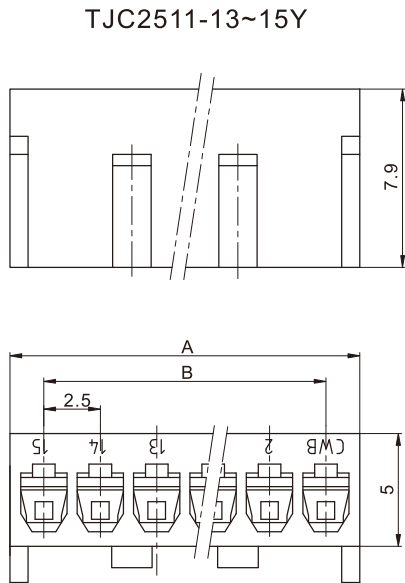


型号 Type	适用导线范围 Wire Range		导线外径 Wire ins. Dis
	mm ²	AWG#	
CH-TJC2511	0.08~0.33	28~22	1.2~1.6
材质·表面处理 Material and Finish			
磷青铜 镀锡 Phos·bronze Tin·Plated			

孔座 Housing

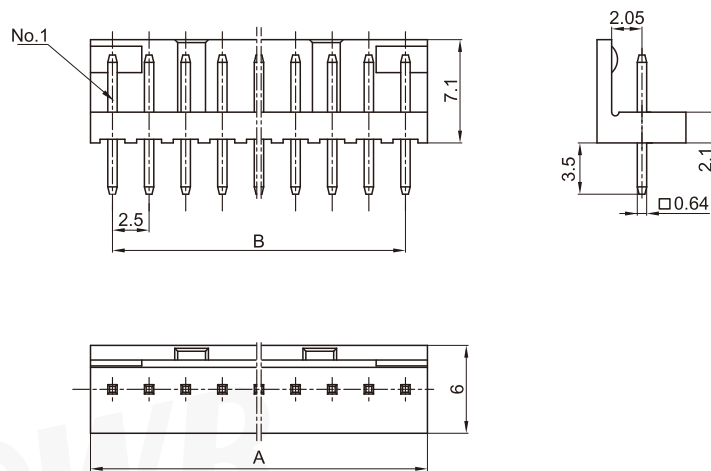


孔座 Housing



线数 Poles	型号 Type	尺寸 Dimensions (mm)	
		A	B
2	TJC2511-2Y	5.5	2.5
3	TJC2511-3Y	8.0	5.0
4	TJC2511-4Y	10.5	7.5
5	TJC2511-5Y	13.0	10.0
6	TJC2511-6Y	15.5	12.5
7	TJC2511-7Y	18.0	15.0
8	TJC2511-8Y	20.5	17.5
9	TJC2511-9Y	23.0	20.0
10	TJC2511-10Y	25.5	22.5
11	TJC2511-11Y	28.0	25.0
12	TJC2511-12Y	30.5	27.5
13	TJC2511-13Y	33.0	30.0
14	TJC2511-14Y	35.5	32.5
15	TJC2511-15Y	38.0	35.0
材质 Material			
PA66 UL94 V-0			

阳连接器 (立式, 直插) Header (V, DIP)

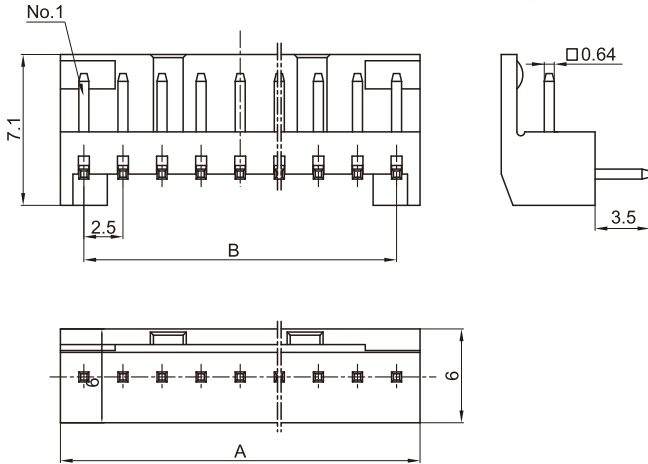


TJC2511 型条形连接器

TJC2511 Bar Connector

间距 (space) :2.5mm

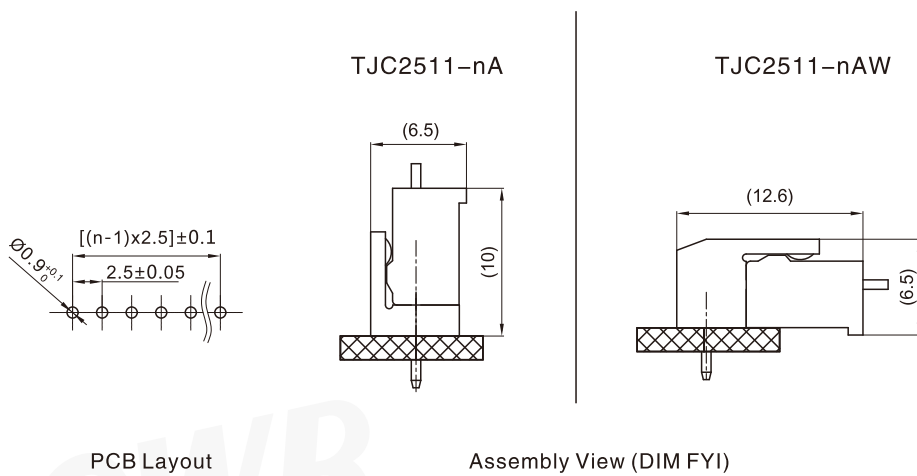
阳连接器 (卧式, 直插) Header (H, DIP)



线数 Poles	型号Type		尺寸Dimensions (mm)	
	(V, DIP)	(H, DIP)	A	B
2	TJC2511-2A	TJC2511-2AW	5.0	2.5
3	TJC2511-3A	TJC2511-3AW	7.5	5.0
4	TJC2511-4A	TJC2511-4AW	10.0	7.5
5	TJC2511-5A	TJC2511-5AW	12.5	10.0
6	TJC2511-6A	TJC2511-6AW	15.0	12.5
7	TJC2511-7A	TJC2511-7AW	17.5	15.0
8	TJC2511-8A	TJC2511-8AW	20.0	17.5
9	TJC2511-9A	TJC2511-9AW	22.5	20.0
10	TJC2511-10A	TJC2511-10AW	25.0	22.5
11	TJC2511-11A	TJC2511-11AW	27.5	25.0
12	TJC2511-12A	TJC2511-12AW	30.0	27.5
13	TJC2511-13A	TJC2511-13AW	32.5	30.0
14	TJC2511-14A	TJC2511-14AW	35.0	32.5
15	TJC2511-15A	TJC2511-15AW	37.5	35.0

材质 · 表面处理 Material and Finish
PA66 UL94V-0; 黄铜 镀锡 Brass Tin · Plated

安装尺寸 Mounting Measurement



PCB Layout

Assembly View (DIM FYI)