
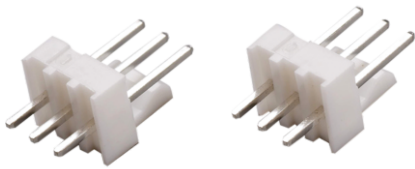


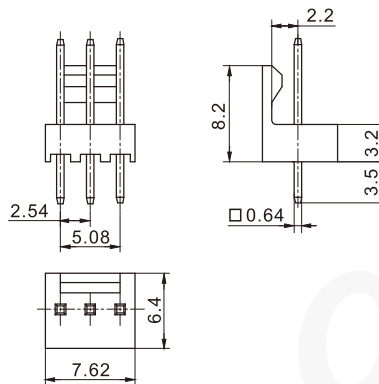
技术参数 (Specifications)

适应基板厚度 (Applicable PC board thickness) : 1.2 ~ 1.6 mm
 温度范围 (Temperature range) : -25°C~85°C
 额定电压 (Voltage rating) : 250V AC/DC
 额定电流 (Current rating) : 2A
 接触电阻 (Contact resistance) : $\leq 10m\Omega$
 绝缘电阻 (Insulation resistance) : $\geq 1000M\Omega$
 耐压 (Withstand voltage) : 800V AC/minute
 材料 (Material) : PA66 UL94V-0;
 黄铜 镀锡 Brass Tin · Plated

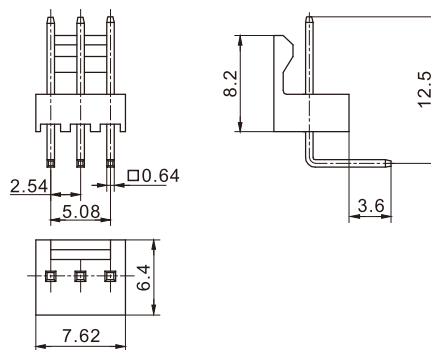
认证 (Standards) :  E200881



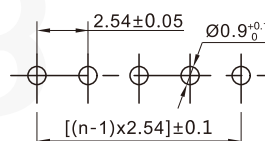
阳连接器 (立式, 直插) Header (V, DIP)



阳连接器 (卧式, 直插) Header (H, DIP)



安装尺寸 Mounting Measurement



PCB Layout