

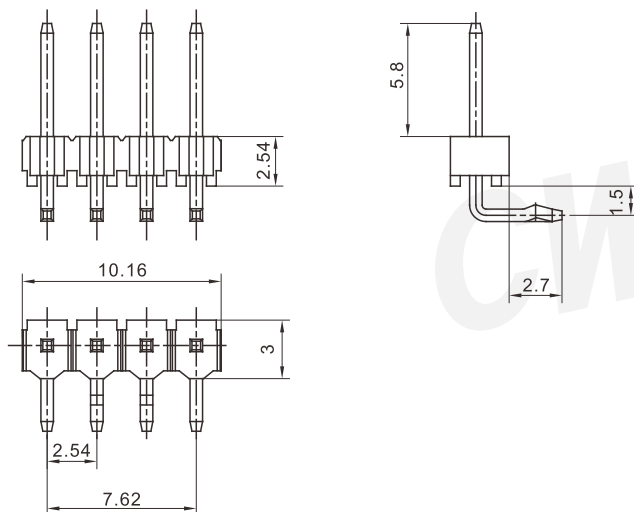


技术参数 (SPECIFICATIONS)

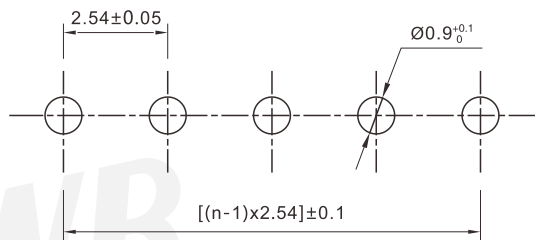
适应基板厚度 (Applicable PC board thickness) : 1.2~1.6 mm
温度范围 (Temperature range) : -25°C~85°C
额定电压 (Voltage rating) : 250V AC/DC
额定电流 (Current rating) : 2A
接触电阻 (Contact resistance) : $\leq 0.01\Omega$
绝缘电阻 (Insulation resistance) : $\geq 1000M\Omega$
耐压 (Withstand voltage) : 800V AC/minute
材料 (Material) : PA66 UL94V-0;
黄铜 镀锡 Brass Tin · Plated

认证 (STANDARDS) :  E200881

阳连接器 (弯式) HEADER (90°)



安装尺寸 MOUNTING MEASUREMENT



PCB Layout