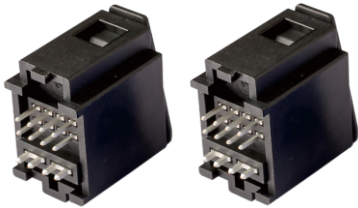


TJC25477 型条形连接器

TJC25477 Bar Connector

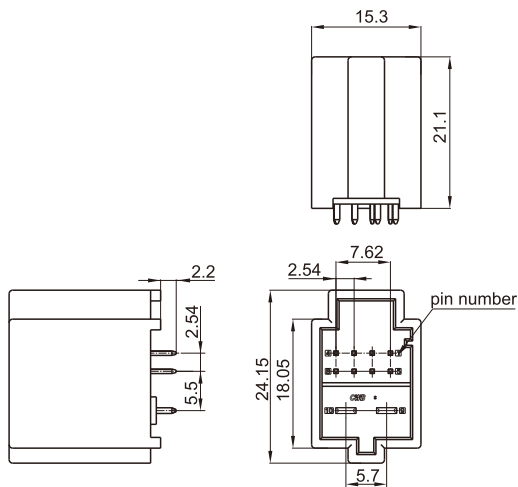
间距 (space) :2.54mm

技术参数 (Specifications)



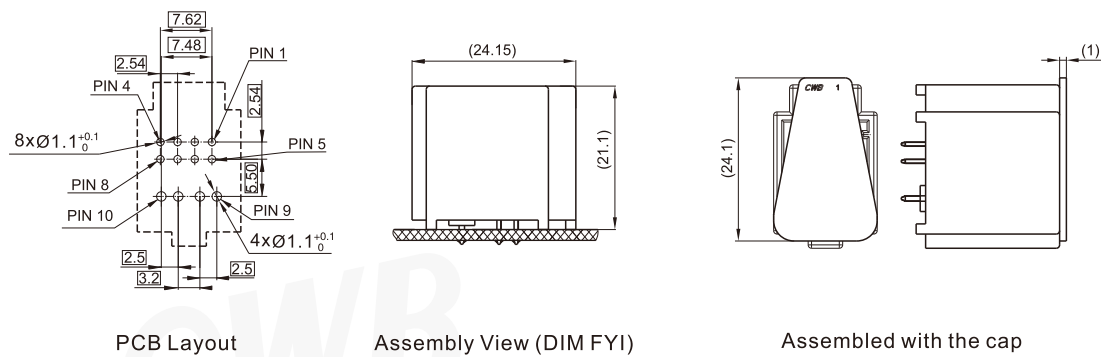
适应基板厚度 (Applicable PC board thickness) : 1.6 mm
 温度范围 (Temperature range) : -40℃~105℃
 额定电压 (Voltage rating) : 250V AC/DC
 额定电流 (Current rating) : 5A
 接触电阻 (Contact resistance) : ≤30mΩ
 绝缘电阻 (Insulation resistance) : ≥1000MΩ
 耐压 (Withstand voltage) : 1500V AC/minute

阳连接器 (立式, 穿孔回流) Header (V, PIP)



线数 Poles	型号 Type
10	TJC25477-10ACX
材质·表面处理 Material and Finish	
PA UL94V-0; 磷青铜 镀锡 Pho·bronze Tin·Plated	

安装尺寸 Mounting Measurement



PCB Layout

Assembly View (DIM FYI)

Assembled with the cap