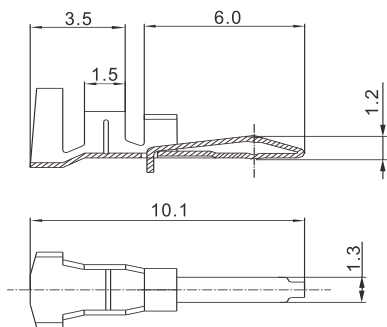




技术参数 (SPECIFICATIONS)

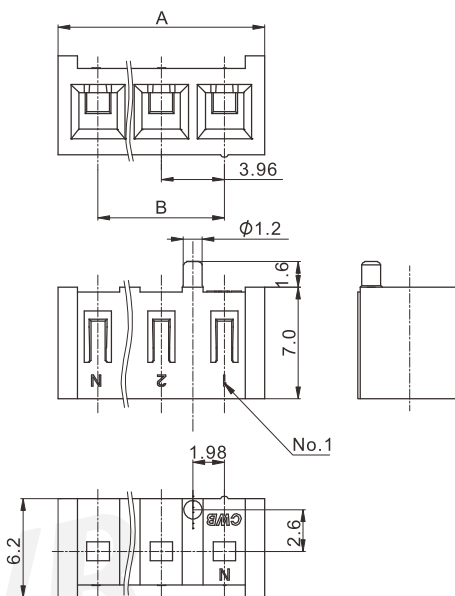
- 适用线规 (Applicable wires) : AWG#22~AWG#18
- 适应基板厚度 (Applicable PC board thickness) : 1.6 mm
- 温度范围 (Temperature range) : -25°C~85°C
- 额定电压 (Voltage rating) : 250V AC/DC
- 额定电流 (Current rating) : 7A
- 绝缘电阻 (Insulation resistance) : $\geq 1000M\Omega$
- 耐压 (Withstand voltage) : 1500V AC/minute

端子 TERMINAL



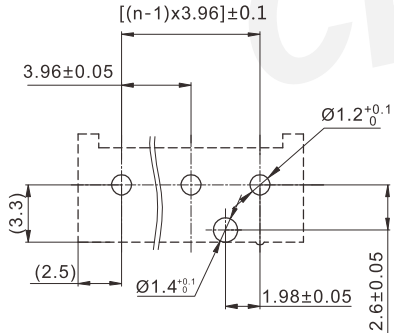
型号 Type	适用导线范围 Wire Range		导线外径 Wire ins. Dis
	mm ²	AWG#	
CZ-TJC39615	0.33~0.83	22~18	1.6~2.05
材质 · 表面处理 Material and Finish			
磷青铜 镀锡 Phos · bronze Tin · Plated			

阴连接器 HOUSING

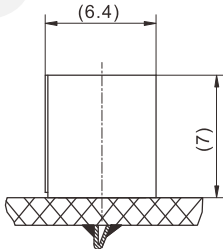


线数 Poles	型号 Type	尺寸 Dimensions (mm)		线数 Poles	型号 Type	尺寸 Dimensions (mm)	
		A	B			A	B
3	TJC39615-3AD	12.92	7.92	8	TJC39615-8AD	32.72	27.72
材质 · 表面处理 Material and Finish				PA66 UL94 V-0			

安装尺寸 MOUNTING MEASUREMENT



PCB Layout



Assembly View (DIM FYI)

CWB

CWB