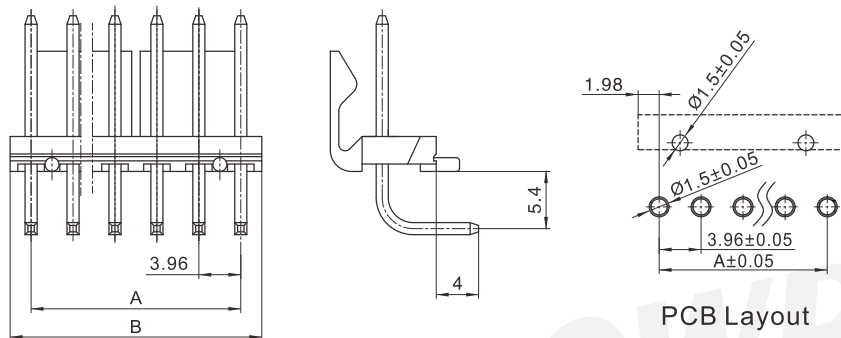




技术参数 (SPECIFICATIONS)

- 适应基板厚度 (Applicable PC board thickness) : 1.2~1.6 mm
- 温度范围 (Temperature range) : -25°C~85°C
- 额定电压 (Voltage rating) : 250V AC/DC
- 额定电流 (Current rating) : 5A
- 接触电阻 (Contact resistance) : $\leq 0.02\Omega$
- 绝缘电阻 (Insulation resistance) : $\geq 800M\Omega$
- 耐压 (Withstand voltage) : 2000V AC/minute

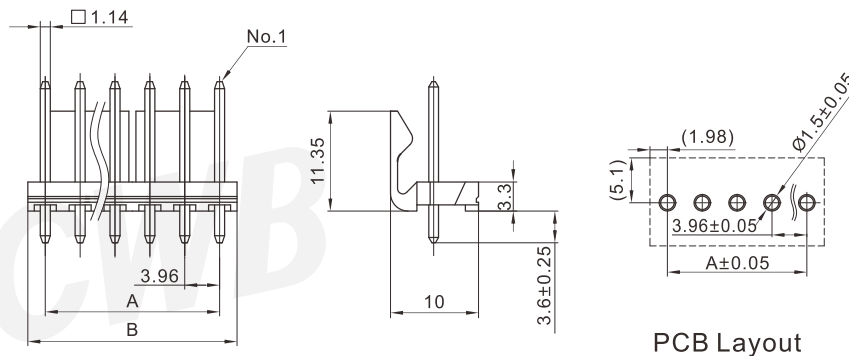
阳连接器 (弯式) HEADER (90°)



线数 Poles	型号 Type	尺寸Dimensions(mm)		线数 Poles	型号 Type	尺寸Dimensions(mm)	
		A	B			A	B
2	TJC3963-2AWD	3.96	7.92	8	TJC3963-8AWD	27.72	31.68
3	TJC3963-3AWD	7.92	11.88	9	TJC3963-9AWD	31.68	35.64
4	TJC3963-4AWD	11.88	15.84	10	TJC3963-10AWD	35.64	39.60
5	TJC3963-5AWD	15.84	19.80	11	TJC3963-11AWD	39.60	43.56
6	TJC3963-6AWD	19.80	23.76	12	TJC3963-12AWD	43.56	47.52
7	TJC3963-7AWD	23.76	27.72				

材质·表面处理 Material and Finish
PA66 UL94V-0; 黄铜 镀锡 Brass Tin·Plated

阳连接器 (直式) HEADER (180°)



TJC3963 型条形连接器

TJC3963 Bar Connector

间距 (space) :3.96mm

线数 Poles	型号 Type	尺寸 Dimensions(mm)		线数 Poles	型号 Type	尺寸 Dimensions(mm)	
		A	B			A	B
2	TJC3963-2A	3.96	7.92	8	TJC3963-8A	27.72	31.68
3	TJC3963-3A	7.92	11.88	9	TJC3963-9A	31.68	35.64
4	TJC3963-4A	11.88	15.84	10	TJC3963-10A	35.64	39.60
5	TJC3963-5A	15.84	19.80	11	TJC3963-11A	39.60	43.56
6	TJC3963-6A	19.80	23.76	12	TJC3963-12A	43.56	47.52
7	TJC3963-7A	23.76	27.72				

材质 · 表面处理 Material and Finish
PA66 UL94V-0; 黄铜 镀锡 Brass Tin · Plated

CWB

CWB