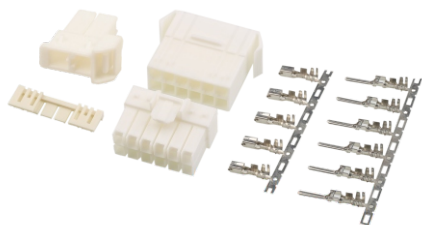
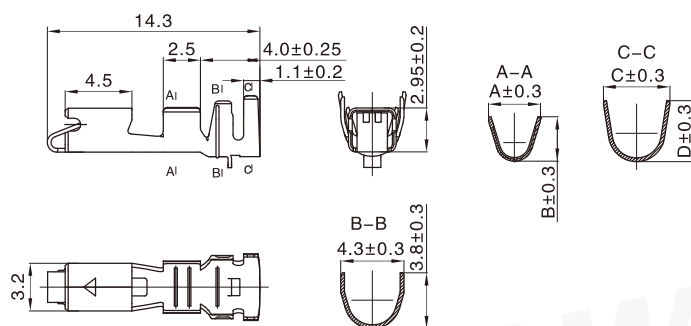


技术参数 (Specifications)



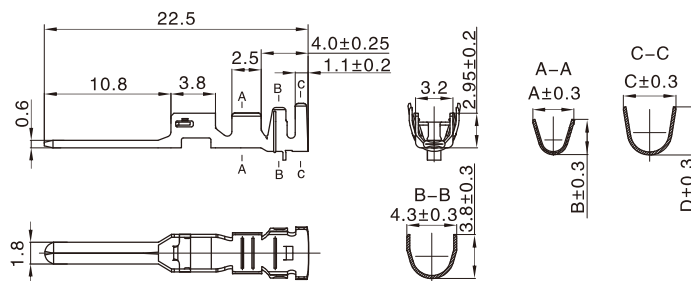
- 适用线规 (Applicable wires) : AWG#24~ AWG#16
- 适应基板厚度 (Applicable PC board thickness) : 0.7~2.4 mm
- 温度范围 (Temperature range) : -25°C~90°C
- 额定电压 (Voltage rating) : 300V AC/DC
- 额定电流 (Current rating) : 10A
- 接触电阻 (Contact resistance) : $\leq 7m\Omega$
- 绝缘电阻 (Insulation resistance) : $\geq 1000M\Omega$
- 耐电压 (Withstand voltage) : 1500V AC/minute

插簧 Contact



型号 Type	适用导线范围 Wire Range		导线外径 Wire ins.Dis	尺寸 Dimensions (mm)			
	mm ²	AWG#		A	B	C	D
CH-TJC50023	0.75 ~ 1.25	18 ~ 16	1.9 ~ 3.1	3.5	3	4.5	4.1
CH-TJC50023-1	0.20 ~ 0.52	24 ~ 20	1.4 ~ 1.8	2.25	2.05	3.4	3.3
材质 · 表面处理 Material and Finish							
磷青铜 镀锡 Phos · bronze Tin · Plated							

插针 Pin Contact



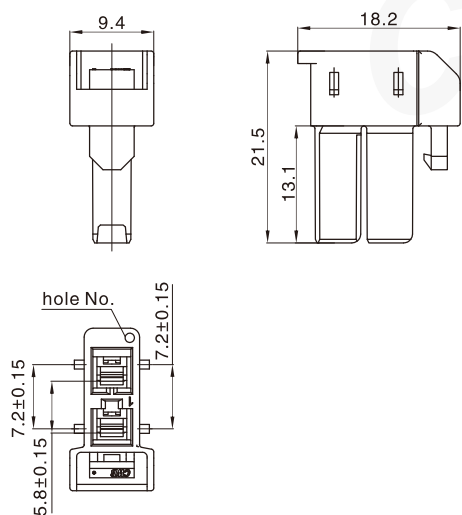
型号 Type	适用导线范围 Wire Range		导线外径 Wire ins.Dis	尺寸 Dimensions (mm)			
	mm ²	AWG#		A	B	C	D
CZ-TJC50023	0.75 ~ 1.25	18 ~ 16	1.9 ~ 3.1	3.5	3	4.5	4.1
CZ-TJC50023-1	0.20 ~ 0.52	24 ~ 20	1.4 ~ 1.8	2.25	2.05	3.4	3.3
材质 · 表面处理 Material and Finish							
磷青铜 镀锡 Phos · bronze Tin · Plated							

TJC50023 型条形连接器

TJC50023 Bar Connector

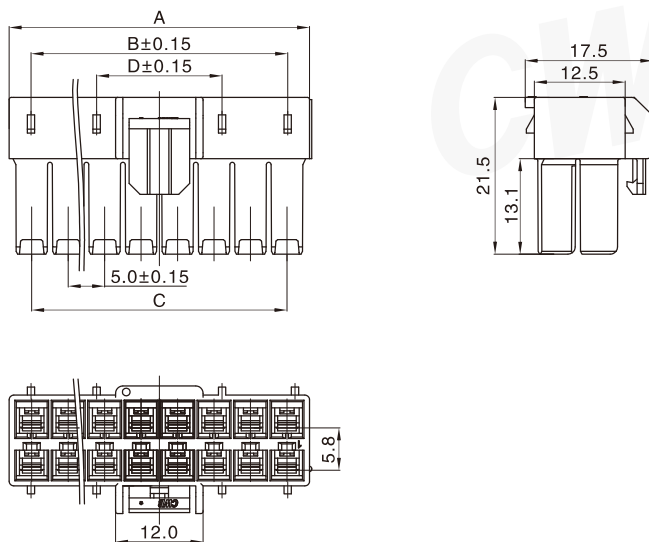
间距 (space) :5.0mm

孔座 Plug Housing



线数 Poles	型号 Type
2	TJC50023-2Y
材质 Material	
PA66 UL94V-0	

孔座 Plug Housing



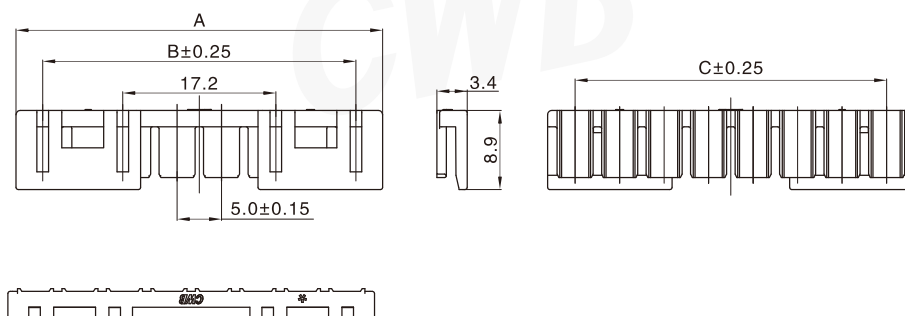
线数 Poles	型号 Type	尺寸 Dimensions (mm)			
		A	B	C	D
4	TJC50023-2x2Y	11.2	7.2	5	/
6	TJC50023-2x3Y	16.2	12.2	10	/
8	TJC50023-2x4Y	21.2	17.2	15	/
12	TJC50023-2x6Y	31.2	25.2	25	16
16	TJC50023-2x8Y	41.2	35.2	35	17.2
材质 Material		PA66 UL94V-0			

TJC50023 型条形连接器

TJC50023 Bar Connector

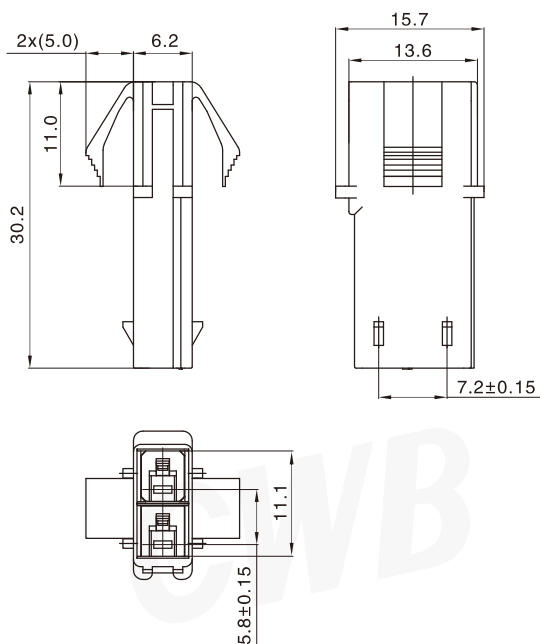
间距 (space) :5.0mm

锁紧片 Retainer



线数 Poles	型号 Type	尺寸 Dimensions (mm)		
		A	B	C
2	TJC50023-2S	10.45	7.2	5
3	TJC50023-3S	16.2	12.2	10
4	TJC50023-4S	21.2	17.2	15
6	TJC50023-6S	31.2	25.2	25
8	TJC50023-8S	41.2	35.2	35
材质 Material				
PA66 UL94V-0				

针座 (面板安装) Receptacle housing (Panel mount)



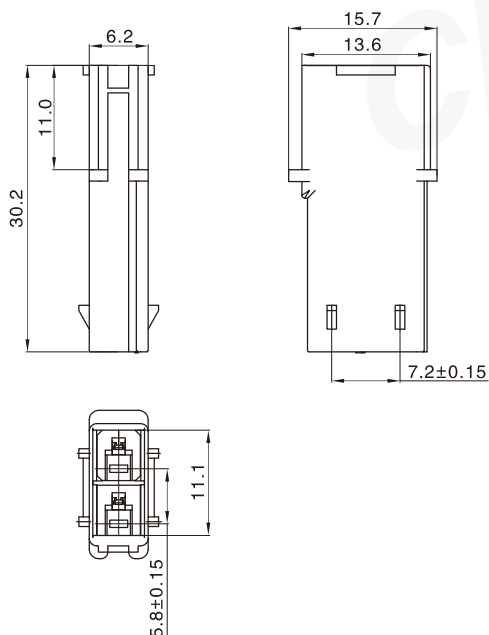
线数 Poles	型号 Type
2	TJC50023-2ARP
材质 Material	
PA66 UL94V-0	

TJC50023 型条形连接器

TJC50023 Bar Connector

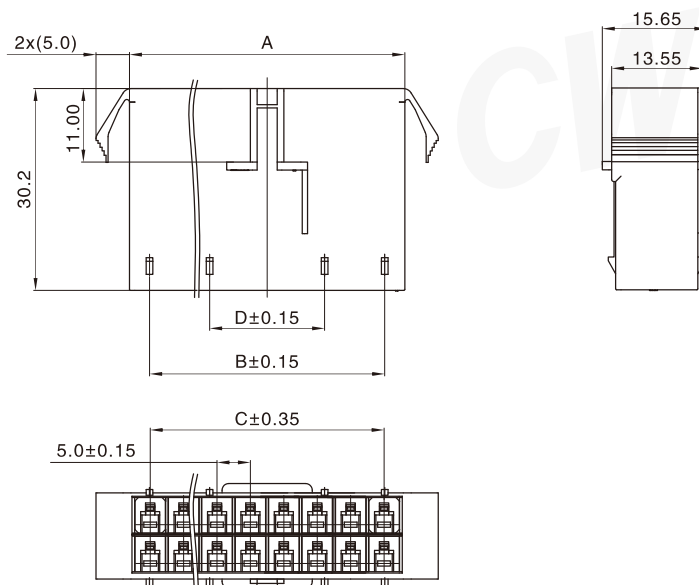
间距 (space) :5.0mm

针座 Receptacle housing



线数 Poles	型号 Type
2	TJC50023-2AR
材质 Material	
PA66 UL94V-0	

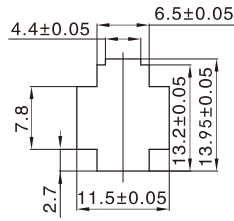
针座 (面板安装) Receptacle housing (Panel mount)



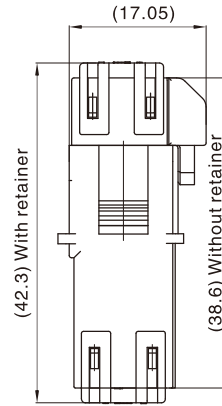
线数 Poles	型号 Type	尺寸 Dimensions (mm)			
		A	B	C	D
4	TJC50023-2x2ARP	11.2	7.2	5	/
6	TJC50023-2x3ARP	16.2	12.2	10	/
8	TJC50023-2x4ARP	21.2	17.2	15	/
12	TJC50023-2x6ARP	31.2	25.2	25	16
16	TJC50023-2x8ARP	41.2	35.2	35	17.2
材质 Material		PA66 UL94V-0			

安装尺寸 Mounting Measurement

TJC50023-2ARP

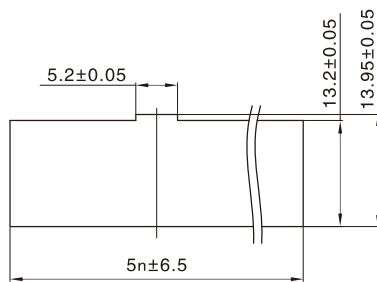


PCB Layout

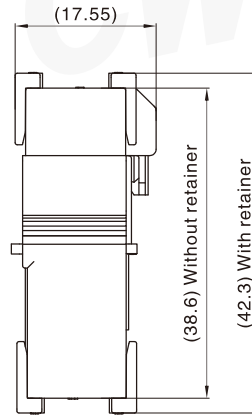


Assembly View
(DIM FYI)

TJC50023-2xnARP



PCB Layout



Assembly View
(DIM FYI)