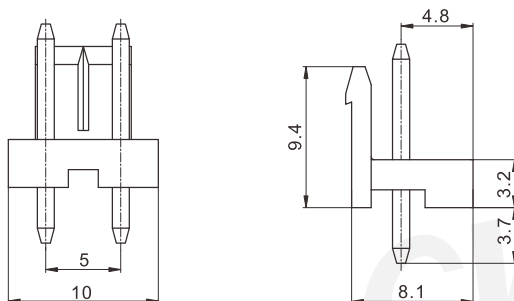


技术参数 (SPECIFICATIONS)



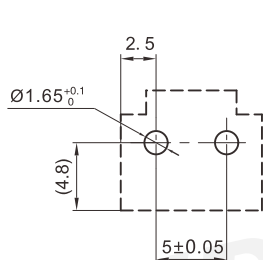
- 适应基板厚度 (Applicable PC board thickness) : 1.2~1.6 mm
- 温度范围 (Temperature range) : -25℃ ~ 85℃
- 额定电压 (Voltage rating) : 250V AC/DC
- 额定电流 (Current rating) : 5A
- 接触电阻 (Contact resistance) : $\leq 0.01\Omega$
- 绝缘电阻 (Insulation resistance) : $\geq 1000M\Omega$
- 耐压 (Withstand voltage) : 1000V AC/minute

阳连接器 HEADER

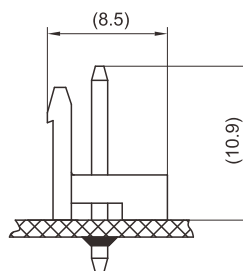


线数 Poles	型号 Type
2	TJC5010-2A
材质表面处理 Material and Finish PA66 UL94V-0; 黄铜 镀锡 Brass Tin · Plated	

安装尺寸 MOUNTING MEASUREMENT



PCB Layout



Assembly View (DIM FYI)