

TJC54&TJC57&TJC58 型条形连接器

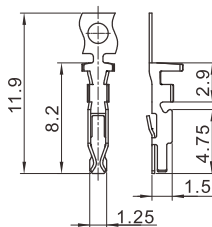
TJC54&TJC57&TJC58 Bar Connector

间距 (space) :2.5-6.5mm

技术参数 (SPECIFICATIONS)

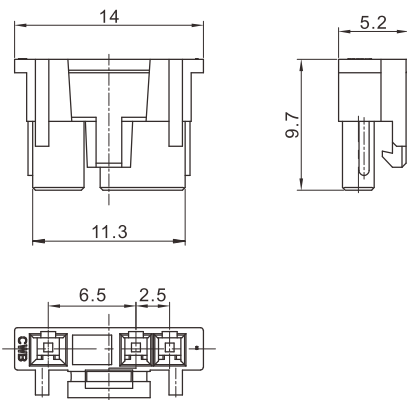
- 适用线规 (Applicable wires) : AWG#28~AWG#24
- 适应基板厚度 (Applicable PC board thickness) : 0.8~1.6 mm
- 温度范围 (Temperature range) : -25°C~85°C
- 额定电压 (Voltage rating) : 750V AC/DC
- 额定电流 (Current rating) : 3A
- 接触电阻 (Contact resistance) : $\leq 0.01 \Omega$
- 绝缘电阻 (Insulation resistance) : $\geq 1000M\Omega$
- 耐压 (Withstand voltage) : (Space2.5mm) 1500V AC/minute
(Space6.5mm) 2500V AC/minute

端子 TERMINAL



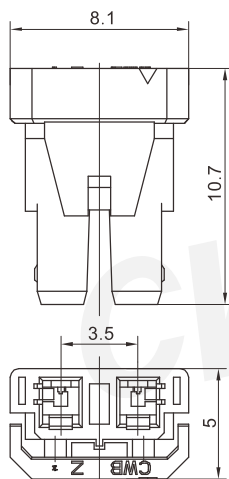
型号 Type	适用导线范围 Wire Range		导线外径 Wire ins.Dis
	mm ²	AWG#	
CH-TJC58	0.08~0.22	28~24	1.2~1.4
材质·表面处理 Material and Finish			
磷青铜 镀锡 Phos·bronze Tin·Plated			

阴连接器 HOUSING



线数 Poles	型号 Type
3	TJC58-3Y
材质·表面处理 Material and Finish	
PA66 UL94V-0	

阴连接器 HOUSING



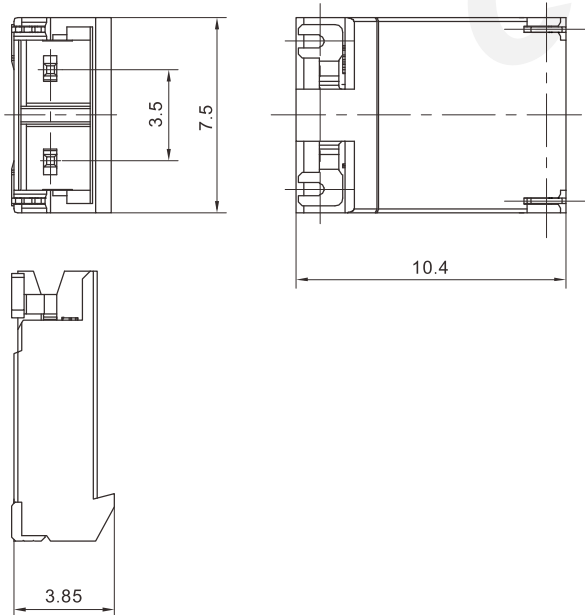
线数 Poles	型号 Type
2	TJC57-2Y
材质·表面处理 Material and Finish	
PA66 UL94V-0	

TJC54&TJC57&TJC58 型条形连接器

TJC54&TJC57&TJC58 Bar Connector

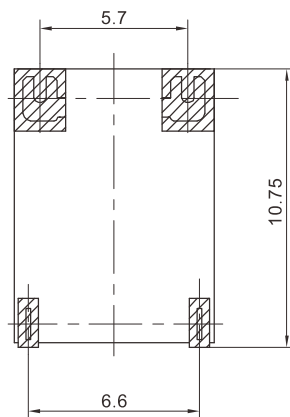
间距 (space) :2.5-6.5mm

阳连接器 (直式) HEADER (180°)



线数 Poles	型号 Type
2	TJC57-2AWB
材质 · 表面处理 Material and Finish	
LCP UL94V-0; 黄铜 镀锡 Brass Tin · Plated	

安装尺寸 MOUNTING MEASUREMENT



PCB Layout