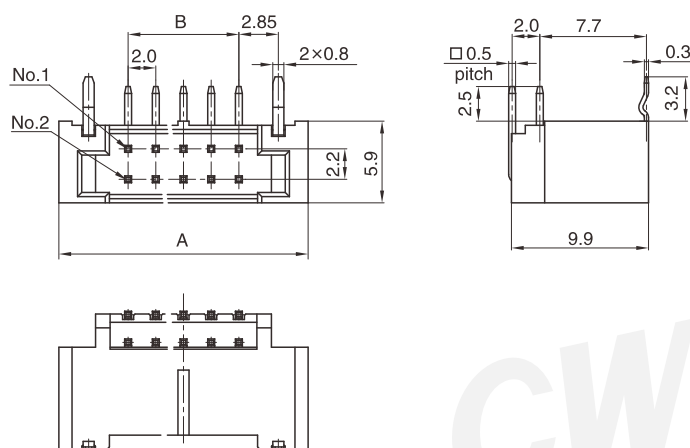




技术参数 (SPECIFICATIONS)

- 适应基板厚度 (Applicable PC board thickness) : 1.2 ~ 1.6 mm
- 温度范围 (Temperature range) : -25°C~85°C
- 额定电压 (Voltage rating) : 250V AC/DC
- 额定电流 (Current rating) : 3A
- 接触电阻 (Contact resistance) : $\leq 0.03\Omega$
- 绝缘电阻 (Insulation resistance) : $\geq 1000M\Omega$
- 耐压 (Withstand voltage) : 1000V AC/minute

阳连接器 (弯式) HEADER (90°)



线数 Poles	型号Type	尺寸Dimensions (mm)	
		A	B
10	WB20J-010-176	18	8
12	WB20J-012-176	20	10
14	WB20J-014-176	22	12
16	WB20J-016-176	24	14
18	WB20J-018-176	26	16
22	WB20J-022-176	30	20

材质 · 表面处理 Material and Finish LCP UL94V-0 黄铜 镀锡 Brass Tin · Plated

安装尺寸 MOUNTING MEASUREMENT

